

Saivod

1 CT1701

en	Instruction Manual
pt	Manual de Instruções
es	Manual de instrucciones



Please read this manual first!

Dear Customer,

We hope that your product, which has been produced in modern plants and checked under the most meticulous quality control procedures, will provide you an effective service.

For this, we recommend you to carefully read the entire manual of your product before using it and keep it at hand for future references.




This manual

- Will help you use your appliance in a fast and safe way.
- Read the manual before installing and operating your product.
- Follow the instructions, especially those for safety.
- Keep the manual in an easily accessible place as you may need it later.
- Besides, read also the other documents provided with your product.

Please note that this manual may be valid for other models as well.

Symbols and their descriptions

This instruction manual contains the following symbols:

-  Important information or useful usage tips.
-  Warning against dangerous conditions for life and property.
-  Warning against electric voltage.



This product is supplied with the selective sorting symbol for waste electrical and electronic equipment (WEEE).

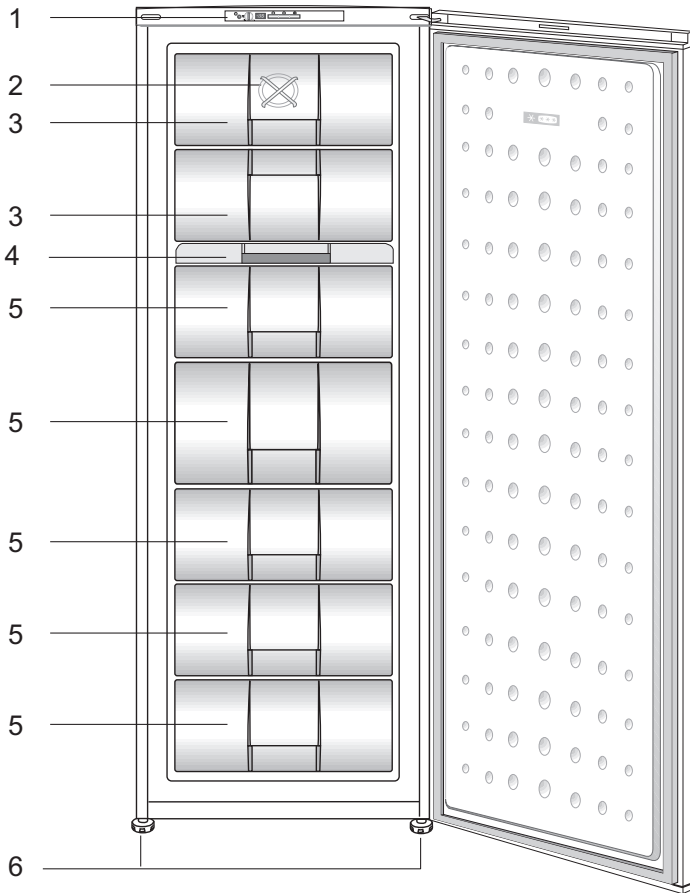
This means that this product must be handled pursuant to European Directive 2002/96/EC in order to be recycled or dismantled to minimise its impact on the environment. For further information, please contact your local or regional authorities.

Electronic products not included in the selective sorting process are potentially dangerous for the environment and human health due to the presence of hazardous substances.

CONTENTS

1 Your refrigerator	3	4 Preparation	12
2 Important Safety Warnings	4	5 Using your refrigerator	13
Intended use	4	Setting the operating temperature ...	13
For products with a water dispenser; ..	6	LED indicators and control panel	14
Child safety.....	6	Freezing.....	15
HCA Warning	6	Making ice cubes	15
Things to be done for energy saving ..	7	Fast freeze.....	16
3 Installation	8	6 Maintenance and cleaning	17
Preparation.....	8	Protection of plastic surfaces	17
Points to be considered when re-transporting your refrigerator	8	7 Recommended solutions for the problems	18
Before operating your refrigerator	8		
Electric connection	9		
Disposing of the packaging	9		
Disposing of your old refrigerator	10		
Adjusting the legs	10		
Reversing the doors	11		

1 Your refrigerator



1. Control Panel
2. Fan
3. Flap (Fast-Freeze compartment)
4. Ice cube tray & Ice bank
5. Drawers
6. Adjustable front feet

i Figures that take place in this instruction manual are schematic and may not correspond exactly with your product. If the subject parts are not included in the product you have purchased, then it is valid for other models.

2 Important Safety Warnings

Please review the following information. Failure to observe this information may cause injuries or material damage. Otherwise, all warranty and reliability commitments will become invalid.

The usage life of the unit you purchased is 10 years. This is the period for keeping the spare parts required for the unit to operate as described.

Intended use

- This product is intended to be used
- indoors and in closed areas such as homes;
 - in closed working environments such as stores and offices;
 - in closed accommodation areas such as farm houses, hotels, pensions.
 - This product should not be used outdoors.

General safety

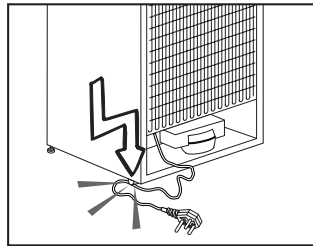
- When you want to dispose/scrap the product, we recommend you to consult the authorized service in order to learn the required information and authorized bodies.
- Consult your authorized service for all your questions and problems related to the refrigerator. Do not intervene or let someone intervene to the refrigerator without notifying the authorised services.
- For products with a freezer compartment; Do not eat cone ice cream and ice cubes immediately after you take them out of the freezer compartment! (This may cause frostbite in your mouth.)
- For products with a freezer compartment; Do not put bottled and canned liquid beverages in the freezer compartment. Otherwise, these may burst.
- Do not touch frozen food by hand; they may stick to your hand.
- Unplug your refrigerator before cleaning or defrosting.
- Vapor and vaporized cleaning materials should never be used in cleaning and defrosting processes of your refrigerator. In such cases, the vapor may get in contact with the electrical parts and cause short circuit or electric shock.
- Never use the parts on your refrigerator such as the door as a means of support or step.
- Do not use electrical devices inside the refrigerator.
- Do not damage the parts, where the refrigerant is circulating, with drilling or cutting tools. The refrigerant that might blow out when the gas channels of the evaporator, pipe extensions or surface coatings are punctured causes skin irritations and eye injuries.
- Do not cover or block the ventilation holes on your refrigerator with any material.
- Electrical devices must be repaired by only authorised persons. Repairs performed by incompetent persons create a risk for the user.
- In case of any failure or during a maintenance or repair work, disconnect your refrigerator's mains supply by either turning off the relevant fuse or unplugging your appliance.
- Do not pull by the cable when pulling

off the plug.

- Place the beverage with higher proofs tightly closed and vertically.
- Never store spray cans containing flammable and explosive substances in the refrigerator.
- Do not use mechanical devices or other means to accelerate the defrosting process, other than those recommended by the manufacturer.
- This product is not intended to be used by persons with physical, sensory or mental disorders or unlearned or inexperienced people (including children) unless they are attended by a person who will be responsible for their safety or who will instruct them accordingly for use of the product
- Do not operate a damaged refrigerator. Consult with the service agent if you have any concerns.
- Electrical safety of your refrigerator shall be guaranteed only if the earth system in your house complies with standards.
- Exposing the product to rain, snow, sun and wind is dangerous with respect to electrical safety.
- Contact authorized service when there is a power cable damage to avoid danger.
- Never plug the refrigerator into the wall outlet during installation. Otherwise, risk of death or serious injury may arise.
- This refrigerator is intended for only storing food items. It must not be used for any other purpose.
- Label of technical specifications is located on the left wall inside the refrigerator.
- Never connect your refrigerator to

electricity-saving systems; they may damage the refrigerator.

- If there is a blue light on the refrigerator, do not look at the blue light with optical tools.
- For manually controlled refrigerators, wait for at least 5 minutes to start the refrigerator after power failure.
- This operation manual should be handed in to the new owner of the product when it is given to others.
- Avoid causing damage on power cable when transporting the refrigerator. Bending cable may cause fire. Never place heavy objects on power cable. Do not touch the plug with wet hands when plugging the product.



- Do not plug the refrigerator if the wall outlet is loose.
- Water should not be sprayed directly on inner or outer parts of the product for safety purposes.
- Do not spray substances containing inflammable gases such as propane gas near the refrigerator to avoid fire and explosion risk.
- Never place containers filled with water on top of the refrigerator, otherwise this may cause electric shock or fire.
- Do not overload your refrigerator with excessive amounts of food. If overloaded, the food items may fall down and hurt you and damage

refrigerator when you open the door. Never place objects on top of the refrigerator; otherwise, these objects may fall down when you open or close the refrigerator's door.

- As they require a precise temperature, vaccines, heat-sensitive medicine and scientific materials and etc. should not be kept in the refrigerator.
- If not to be used for a long time, refrigerator should be unplugged. A possible problem in power cable may cause fire.
- The plug's tip should be regularly cleaned; otherwise, it may cause fire.
- The plug's tip should be cleaned regularly with a dry cloth; otherwise, it may cause fire.
- Refrigerator may move if adjustable legs are not properly secured on the floor. Properly securing adjustable legs on the floor can prevent the refrigerator to move.
- When carrying the refrigerator, do not hold it from door handle. Otherwise, it may be snapped.
- When you have to place your product next to another refrigerator or freezer, the distance between devices should be at least 8cm. Otherwise, adjacent side walls may be humidified.

For products with a water dispenser;

Pressure of water mains should be minimum 1 bar. Pressure of water mains should be maximum 8 bars.

- Use only potable water.

Child safety

- If the door has a lock, the key should be kept away from reach of children.

- Children must be supervised to prevent them from tampering with the product.

HCA Warning

If your product's cooling system contains R600a:

This gas is flammable. Therefore, pay attention to not damaging the cooling system and piping during usage and transportation. In the event of damage, keep your product away from potential fire sources that can cause the product catch a fire and ventilate the room in which the unit is placed.

Ignore this warning if your product's cooling system contains R134a.

Type of gas used in the product is stated in the type plate which is on the left wall inside the refrigerator.

Never throw the product in fire for disposal.

Things to be done for energy saving

- Do not leave the doors of your refrigerator open for a long time.
- Do not put hot food or drinks in your refrigerator.
- Do not overload your refrigerator so that the air circulation inside of it is not prevented.
- Do not install your refrigerator under direct sunlight or near heat emitting appliances such as ovens, dishwashers or radiators.
- Pay attention to keep your food in closed containers.
- For products with a freezer compartment; You can store maximum amount of food items in the freezer when you remove the shelf or drawer of the freezer. Energy consumption value stated for your refrigerator has been determined by removing freezer shelf or drawer and under maximum load. There is no harm to use a shelf or drawer according to the shapes and size of food to be frozen.
- Thawing frozen food in fridge compartment will both provide energy saving and preserve the food quality.

3 Installation

Please remember that the manufacturer shall not be held liable if the information given in the instruction manual is not observed.

Preparation

- i** Your refrigerator should be installed at least 30 cm away from heat sources such as hobs, ovens, central heater and stoves and at least 5 cm away from electrical ovens and should not be located under direct sunlight.
- i** The ambient temperature of the room where you install your refrigerator should at least be 10°C. Operating your refrigerator under cooler conditions than this is not recommended with regard to its efficiency.
- i** Please make sure that the interior of your refrigerator is cleaned thoroughly.
- i** If two refrigerators are to be installed side by side, there should be at least 2 cm distance between them.
- i** When you operate your refrigerator for the first time, please observe the following instructions during the initial six hours.
 - The door should not be opened frequently.
 - It must be operated empty without any food in it.
 - Do not unplug your refrigerator. If a power failure occurs out of your control, please see the warnings in the "Recommended solutions for the problems" section.
- i** Original packaging and foam materials should be kept for future transportations or moving.

Points to be considered when re-transporting your refrigerator

1. Your refrigerator must be emptied and cleaned prior to any transportation.
2. Shelves, accessories, crisper and etc. in your refrigerator must be fastened securely by adhesive tape against any jolt before repackaging.
3. Packaging must be tied with thick tapes and strong ropes and the rules of transportation printed on the package must be followed.

Please remember...

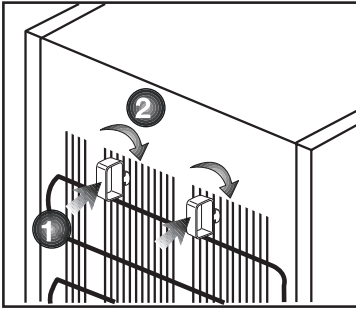
Every recycled material is an indispensable source for the nature and for our national resources.

If you wish to contribute to recycling the packaging materials, you can get further information from the environmental bodies or local authorities.

Before operating your refrigerator

Before starting to use your refrigerator check the following:

1. Is the interior of the refrigerator dry and can the air circulate freely in the rear of it?
2. Insert the 2 plastic wedges onto the rear ventilation as illustrated in the following figure. Plastic wedges will provide the required distance between your refrigerator and the wall in order to allow the air circulation.



3. Clean the interior of the refrigerator as recommended in the “Maintenance and cleaning” section.
4. Plug the refrigerator into the wall outlet. When the fridge door is open the fridge compartment interior light will come on.
5. You will hear a noise as the compressor starts up. The liquid and gases sealed within the refrigeration system may also give rise to noise, even if the compressor is not running and this is quite normal.
6. Front edges of the refrigerator may feel warm. This is normal. These areas are designed to be warm to avoid condensation.

Electric connection

Connect your product to a grounded socket which is being protected by a fuse with the appropriate capacity.

Important:

The connection must be in compliance with national regulations.

The power cable plug must be easily accessible after installation.

Voltage and permitted fuse protection are indicated in the “Specifications” section.

The specified voltage must be equal to your mains voltage.

Extension cables and multiway plugs must not be used for connection.

A damaged power cable must be replaced by a qualified electrician.

Product must not be operated before it is repaired! There is danger of electric shock!

Disposing of the packaging

The packing materials may be dangerous for children. Keep the packing materials out of the reach of children or dispose them of by classifying them in accordance with the waste instructions. Do not dispose them of along with the normal household waste.

The packing of your refrigerator is produced from recyclable materials.

Disposing of your old refrigerator

Dispose of your old machine without giving any harm to the environment.

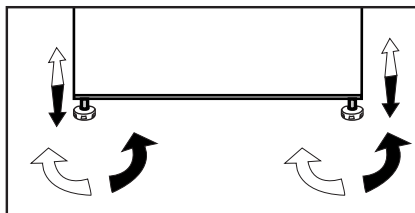
You may consult your authorized dealer or waste collection center of your municipality about the disposal of your refrigerator.

Before disposing of your refrigerator, cut out the electric plug and, if there are any locks on the door, make them inoperable in order to protect children against any danger.

Adjusting the legs

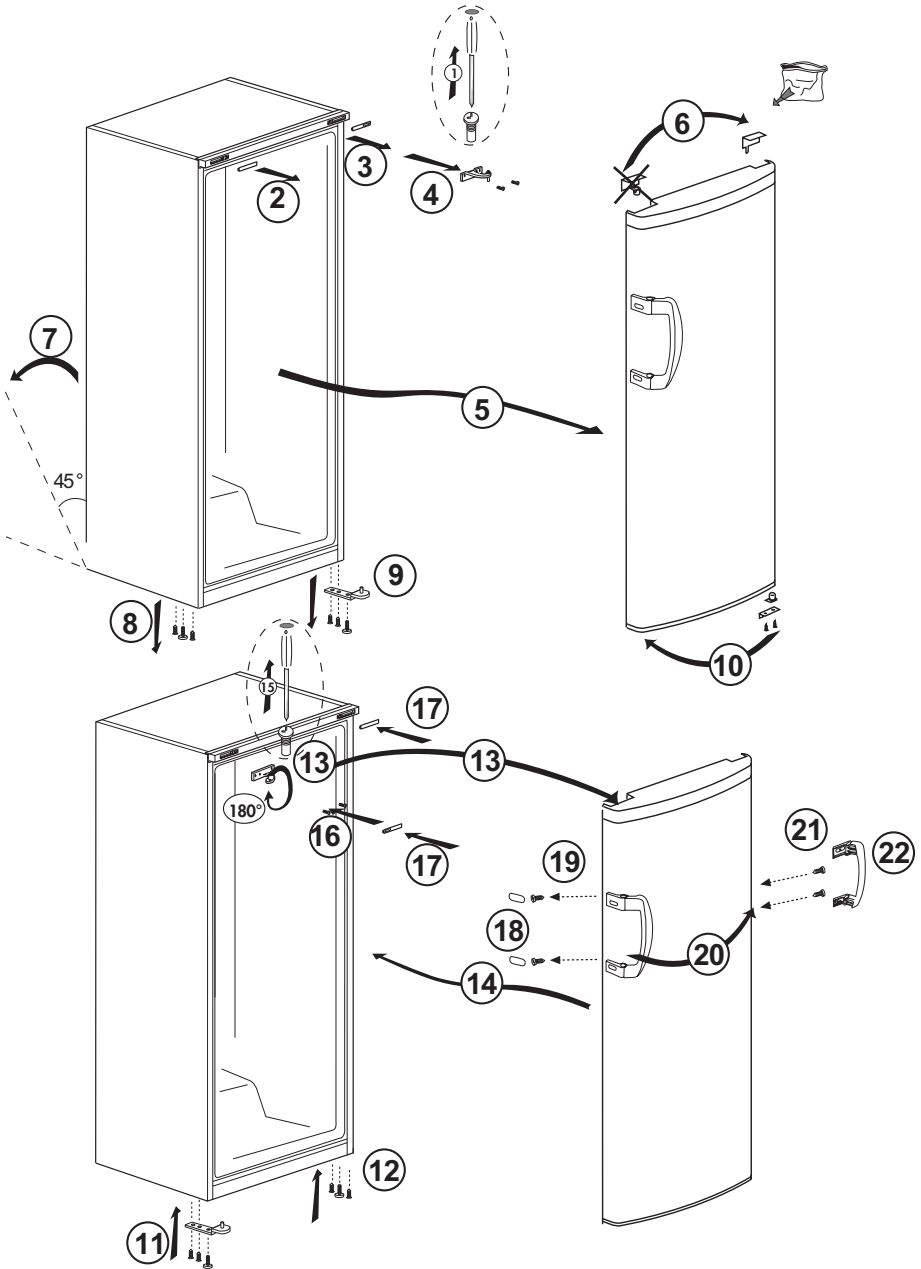
If your refrigerator is unbalanced;

You can balance your refrigerator by turning the front legs of it as illustrated in the figure. The corner where the leg exists is lowered when you turn in the direction of black arrow and raised when you turn in the opposite direction. Taking help from someone to slightly lift the refrigerator will facilitate this process.



Reversing the doors

Proceed in numerical order .

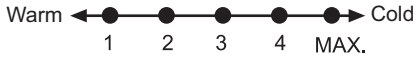


4 Preparation

- i** Your refrigerator should be installed at least 30 cm away from heat sources such as hobs, ovens, central heater and stoves and at least 5 cm away from electrical ovens and should not be located under direct sunlight.
- i** The ambient temperature of the room where you install your refrigerator should at least be 10°C. Operating your refrigerator under cooler conditions than this is not recommended with regard to its efficiency.
- i** Please make sure that the interior of your refrigerator is cleaned thoroughly.
- i** If two refrigerators are to be installed side by side, there should be at least 2 cm distance between them.
- i** When you operate your refrigerator for the first time, please observe the following instructions during the initial six hours.
 - The door should not be opened frequently.
 - It must be operated empty without any food in it.
 - Do not unplug your refrigerator. If a power failure occurs out of your control, please see the warnings in the “Recommended solutions for the problems” section.
- i** Original packaging and foam materials should be kept for future transportations or moving.

5 Using your refrigerator

Setting the operating temperature



The operating temperature is regulated by the temperature control.

1 = Lowest cooling setting (Warmest setting)

MAX. = Highest cooling setting (Coldest setting)

Please choose the setting according to the desired temperature.

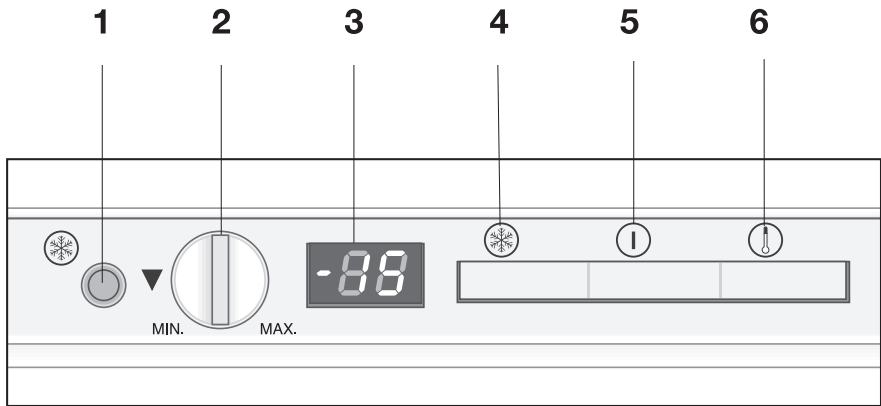
The interior temperature also depends on ambient temperature, the frequency with which the door is opened and the amount of foods kept inside.

Frequently opening the door causes the interior temperature to rise.

For this reason, it is recommended to close the door again as soon as possible after use.

The normal storage temperature of your appliance should be $-18\text{ }^{\circ}\text{C}$ ($0\text{ }^{\circ}\text{F}$). Lower temperatures can be obtained by adjusting the thermostat knob towards Position MAX.

We recommend checking the temperature with a thermometer to ensure that the storage compartments are kept to the desired temperature. Remember to take the reading immediately since the thermometer temperature will rise very rapidly after you remove it from the freezer.



LED indicators and control panel

LED indicators in the front section of your refrigerator are intended to help you in monitoring the operation of your appliance.

Keep your food in the refrigerator in a safe manner by monitoring and using these LEDs and controls as explained below:

Fast Freeze Button (1): Used to freeze the food fastly. Compressor may not operate immediately but after some time when the button is pressed and this is quite normal.

Thermostat Setting Button (2): Used to set your refrigerator between minimum and maximum values.

Temperature Indicator (3): Displays the inner temperature of your refrigerator.

Orange LED (4): Lights up when the fast freeze button on the LED panel is pressed. In this case, your refrigerator operates continuously.

Press the button again when the food you would like to fast freeze comes to the desired temperature and the orange LED will turn off.

Green LED (5): Lights up continuously after plugging in your refrigerator.

Red LED (6): It warns user by lighting up continuously when there is not enough cooling in the refrigerator, when the door remains open for a long time and when excessive food is loaded.

If the red LED lights up continuously when the conditions stated in the adjacent column do not exist, then call our Authorized Service.

Freezing

Freezing food

The freezing compartment is marked with this symbol.

You can use the appliance for freezing fresh food as well as for storing pre-frozen food.

Please refer to the recommendations given on the packaging of your food.

Attention

Do not freeze fizzy drinks, as the bottle may burst when the liquid in it is frozen.

Be careful with frozen products such as coloured ice-cubes.

Do not exceed the freezing capacity of your appliance in 24 hours. See the rating label.

In order to maintain the quality of the food, the freezing must be effected as rapidly as possible.

Thus, the freezing capacity will not be exceeded, and the temperature inside the freezer will not rise.

Attention

Keep the already deep-frozen food always separated with freshly placed food.

When deep-freezing hot food, the cooling compressor will work until the food is completely frozen. This can temporarily cause excessive cooling of the refrigeration compartment.

If you find the freezer door difficult to open just after you have closed it, don't worry. This is due to the pressure difference which will equalize and allow the door to open normally after a few minutes.

You will hear a vacuum sound just after closing the door. This is quite normal.

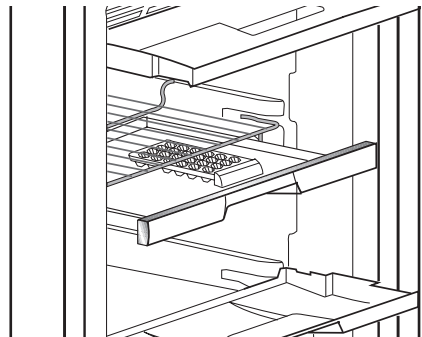
Making ice cubes

Fill the ice-cube tray 3/4 full with water and place it in the freezer.

As soon as the water has turned into ice, you can take out the ice cubes.

Never use sharp objects such as knives or forks to remove the ice cubes. There is a risk of injury!

Let the ice cubes slightly thaw instead, or put the bottom of the tray in hot water for a short moment.



Fast freeze

If large amounts of fresh food are going to be frozen, adjust the control knob to max. 24 hours before putting the fresh food in the fast freeze compartment.

It is strongly recommended to keep the knob at MAX. position at least 24 hours to freeze maximum amount of fresh food declared as freezing capacity. Take special care not to mix frozen food and fresh food.

When fast freeze switch is on, -27 degrees C will flash for 5 seconds on display (6). Fast-freeze operation is for freezing fresh food (see Freezing Fresh Food section).

Defrosting of the appliance

The appliance defrosts automatically.

6 Maintenance and cleaning

- ⚠ Never use gasoline, benzene or similar substances for cleaning purposes.
- ⚠ We recommend that you unplug the appliance before cleaning.
- 🔧 Never use any sharp abrasive instrument, soap, household cleaner, detergent and wax polish for cleaning.
- 🔧 Use lukewarm water to clean the cabinet of your refrigerator and wipe it dry.
- 🔧 Use a damp cloth wrung out in a solution of one teaspoon of bicarbonate of soda to one pint of water to clean the interior and wipe it dry.
- ⚠ Make sure that no water enters the lamp housing and other electrical items.
- ⚠ If your refrigerator is not going to be used for a long period of time, unplug the power cable, remove all food, clean it and leave the door ajar.
- 🔧 Check door seals regularly to ensure they are clean and free from food particles.
- 🔧 To remove door racks, remove all the contents and then simply push the door rack upwards from the base.

Protection of plastic surfaces

- 🔧 Do not put the liquid oils or oil-cooked meals in your refrigerator in unsealed containers as they damage the plastic surfaces of your refrigerator. In case of spilling or smearing oil on the plastic surfaces, clean and rinse the relevant part of the surface at once with warm water.

7 Recommended solutions for the problems

Please review this list before calling the service. It might save you time and money. This list includes frequent complaints that are not arising from defective workmanship or material usage. Some of the features described here may not exist in your product.

The refrigerator does not operate

- Is the refrigerator properly plugged in? Insert the plug to the wall socket.
- Is the fuse of the socket which your refrigerator is connected to or the main fuse blown out? Check the fuse.

Condensation on the side wall of the fridge compartment. (MULTI ZONE, COOL CONTROL ve FLEXI ZONE)

- Very cold ambient conditions. Frequent opening and closing of the door. Highly humid ambient conditions. Storage of food containing liquid in open containers. Leaving the door ajar.
- Switching the thermostat to a colder degree.
- Decreasing the time the door left open or using it less frequently.
- Covering the food stored in open containers with a suitable material.
- Wipe the condensation using a dry cloth and check if it persists.

Compressor is not running

- Protective thermic of the compressor will blow out during sudden power failures or plug-out plug-ins as the refrigerant pressure in the cooling system of the refrigerator has not been balanced yet.
- Your refrigerator will start running approximately after 6 minutes. Please call the service if your refrigerator does not startup at the end of this period.
- The fridge is in defrost cycle. This is normal for a full-automatically defrosting refrigerator. Defrosting cycle occurs periodically.
- Your refrigerator is not plugged into the socket. Make sure that the plug is inserted tightly to the wall socket.
- Are the temperature adjustments correctly made? There is a power failure. Call your electricity supplier.

The fridge is running frequently or for a long time.

- Your new refrigerator may be wider than the previous one. This is quite normal. Large refrigerators operate for a longer period of time.
- The ambient room temperature may be high. This is quite normal.
- The refrigerator might have been plugged in recently or might have been loaded with food. Cooling down of the refrigerator completely may last for a couple of hours longer.
- Large amounts of hot food might have been put in the refrigerator recently. Hot food causes longer running of the refrigerator until they reach the safe storage temperature.
- Doors might have been opened frequently or left ajar for a long time. The warm air that has entered into the refrigerator causes the refrigerator to run for longer periods. Open the doors less frequently.
- Freezer or fridge compartment door might have been left ajar. Check if the doors are tightly closed.
- The refrigerator is adjusted to a very low temperature. Adjust the refrigerator temperature to a warmer degree and wait until the temperature is achieved.
- Door seal of the fridge or freezer may be soiled, worn out, broken or not properly seated. Clean or replace the seal. Damaged/broken seal causes the refrigerator to run for a longer period of time in order to maintain the current temperature.

Freezer temperature is very low while the fridge temperature is sufficient.

- The freezer temperature is adjusted to a very low temperature. Adjust the freezer temperature to a warmer degree and check.

Fridge temperature is very low while the freezer temperature is sufficient.

- The fridge temperature is adjusted to a very low temperature. Adjust the fridge temperature to a warmer degree and check.

Food kept in the fridge compartment drawers are freezing.

- The fridge temperature is adjusted to a very low temperature. Adjust the fridge temperature to a warmer degree and check.

Temperature in the fridge or freezer is very high.

- The fridge temperature is adjusted to a very high degree. Fridge adjustment has an effect on the temperature of the freezer. Change the temperature of the fridge or freezer until the fridge or freezer temperature reaches to a sufficient level.
- The door might be left ajar. Close the door completely.
- Large amounts of hot food might have been put in the refrigerator recently. Wait until the fridge or freezer reaches the desired temperature.
- Refrigerator might have been plugged in recently. Cooling down of the refrigerator completely takes time because of the size.

Noise similar to the sound of seconds heard from an analog clock is coming from the refrigerator.
<ul style="list-style-type: none"> This noise is coming from the solenoid valve of the refrigerator. Solenoid valve functions for the purpose of ensuring coolant passage through the compartment which can be adjusted to cooling or freezing temperatures, and performing cooling functions. This is normal and is not fault cause.
The operation noise increases when the refrigerator is running.
<ul style="list-style-type: none"> The operating performance characteristics of the refrigerator may change according to the changes in the ambient temperature. It is normal and not a fault.
Vibrations or noise.
<ul style="list-style-type: none"> The floor is not even or it is weak. The refrigerator rocks when moved slowly. Make sure that the floor is level, strong and capable to carry the refrigerator. The noise may be caused by the items put onto the refrigerator. Such items should be removed from the top of the refrigerator.
There are noises like liquid spilling or spraying.
<ul style="list-style-type: none"> Liquid and gas flows happen in accordance with the operating principles of your refrigerator. It is normal and not a fault.
There is a noise like wind blowing.
<ul style="list-style-type: none"> Air activators (fans) are used in order to allow the refrigerator to cool efficiently. It is normal and not a fault.
Condensation on the inner walls of refrigerator.
<ul style="list-style-type: none"> Hot and humid weather increases icing and condensation. It is normal and not a fault. The doors are ajar. Make sure that the doors are closed completely. Doors might have been opened very frequently or they might have been left open for along time. Open the door less frequently.
Humidity occurs on the outside of the refrigerator or between the doors.
<ul style="list-style-type: none"> The weather may be humid. This is quite normal in humid weather. When the humidity is less, condensation will disappear.
Bad odor inside the refrigerator.
<ul style="list-style-type: none"> Inside of the refrigerator must be cleaned. Clean the inside of the refrigerator with a sponge, warm water or carbonated water. Some containers or packaging materials might be causing the smell. Use a different container or different brand packaging material.
The door(s) is (are) not closing.

- Food packages may prevent the door's closing. Replace the packages that are obstructing the door.
- The refrigerator is probably not completely vertical on the floor and it might be rocking when slightly moved. Adjust the elevation screws.
- The floor is not level or strong. Make sure that the floor is level and capable to carry the refrigerator.

Crispers are stuck.

- The food might be touching the ceiling of the drawer. Rearrange food in the drawer.

Por favor, leia primeiro este manual!

Caro cliente,




Esperamos que o seu produto, que foi produzido em modernas instalações e testado através de rigorosos controlos de qualidade, ofereça-lhe um serviço efectivo. Para isso, recomendamos que leia cuidadosa e inteiramente o manual do seu produto antes de utilizá-lo e guarde-o para futuras consultas.

Este manual

- Ajudá-lo-á a utilizar o seu equipamento de forma rápida e segura.
 - Leia o manual antes de instalar e operar o seu equipamento.
 - Siga as instruções, especialmente as relativas à segurança.
 - Guarde o manual num local acessível, já que poderá precisar dele mais tarde.
 - Além disso, leia também os outros documentos fornecidos com o seu produto.
- Observe que este manual também pode ser válido para outros modelos.

Os símbolos e as suas descrições

Este manual de instruções contém os seguintes símbolos:

-  Informações importantes ou dicas úteis de utilização.
-  Aviso contra condições de risco para a vida e a propriedade.
-  Aviso contra a voltagem eléctrica.

Reciclagem



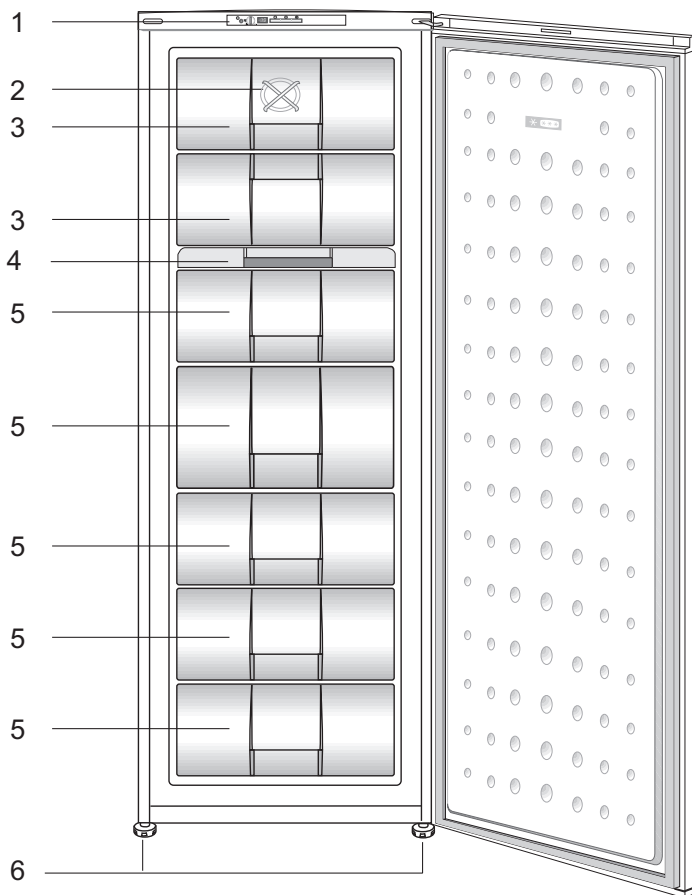
Este produto ostenta o símbolo de classificação selectiva para resíduos de equipamentos eléctricos e electrónicos (REEE). Isto significa que este produto deve ser tratado de acordo com a Directiva Europeia 2002/96 EC para que seja reciclado ou desmantelado afim de minimizar o seu impacto no meio ambiente. Para mais informações, contacte por favor as suas autoridades locais ou regionais.

Os produtos electrónicos não incluídos neste processo de classificação selectiva são potencialmente perigosos para o ambiente e para a saúde humana devido à presença de substâncias perigosas.

CONTEÚDO

1 O seu frigorífico	3	4 Preparação	11
2 Avisos importantes de segurança	4	5 Utilizar o seu frigorífico	12
Uso pretendido.....	4	Indicadores LED e painel de controlo	13
Para produtos com um dispensador de água;.....	6	Congelar.....	14
Segurança com crianças.....	6	6 Manutenção e limpeza	16
Aviso HCA.....	6	Protecção das superfícies plásticas	16
O que se pode fazer para economizar energia.....	6	7 Soluções recomendadas para os problemas	17
3 Instalação	8		
Pontos a serem considerados ao transportar novamente o seu frigorífico	8		
Antes de funcionar o seu frigorífico....	8		
Eliminação da embalagem.....	9		
Eliminação do seu frigorífico velho.....	9		
Colocação e instalação.....	9		
Ajuste dos pés.....	9		
Inverter as portas.....	10		

1 O seu frigorífico



1. Painel de controlo
2. Ventoinha
3. Porta basculante (Compartimento de congelação rápida)
4. Tabuleiro para cubos de gelo e banco de gelo
5. Gavetas
6. Pés frontais ajustáveis

i As figuras que aparecem neste manual de instruções são esquemáticas e podem não corresponder exactamente ao seu produto. Se as partes referidas não estiverem incluídas no produto que adquiriu, é porque são válidas para outros modelos.

2 Avisos importantes de segurança

Por favor, reveja as informações seguintes. A não-observância destas informações pode causar ferimentos ou danos ao material. Caso contrário, todas as garantias e compromissos de fiabilidade tornar-se-ão inválidos.

A vida útil da unidade que adquiriu é de 10 anos. Este é o período para manter as peças de reposição exigidas para a unidade a funcionarem conforme descrito.

Uso pretendido

Este produto está concebido para ser usado

- áreas internas e fechadas como casas;
- em ambientes de trabalho fechados, como lojas e escritórios;
- em áreas de hospedagem fechadas, como casas rurais, hotéis, pensões.
- Este produto não deve ser usado em exteriores.

Segurança geral

- Quando quiser eliminar/desfazer-se do produto, recomendamos que consulte o serviço de assistência e os órgãos autorizados para obter mais informações.
- Consulte o seu serviço de assistência autorizado para todas as questões e problemas relativos ao frigorífico. Não tente reparar e nem permita que ninguém o faça sem notificar os serviços de assistência autorizados.
- Para produtos com um compartimento de congelador; Não coma cones de gelados e cubos de gelo imediatamente após retirá-los do compartimento do congelador! (Isto pode provocar queimaduras de frio na sua boca).
- Para produtos com compartimento de congelador; Não coloque bebidas líquidas enlatadas ou engarrafadas no

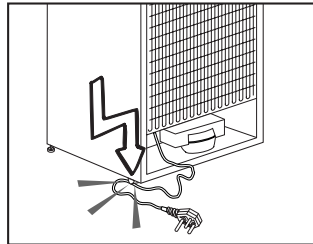
compartimento do congelador. Caso contrário, podem rebentar.

- Não toque nos alimentos congelados; podem ficar presos à sua mão.
- Desligue o seu frigorífico da tomada antes da limpeza ou descongelação.
- O vapor e materiais de limpeza vaporizados nunca deverão ser utilizados nos processos de limpeza e descongelação do seu frigorífico. Em tais casos, o vapor poderá entrar em contacto com as partes eléctricas e provocar curto-circuito ou choque eléctrico.
- Nunca use as partes do seu frigorífico, tal como a porta, como meios de apoio ou degrau.
- Não utilize dispositivos eléctricos dentro do frigorífico.
- Não danifique as partes por onde circula a refrigeração, com ferramentas perfurantes ou cortantes. O refrigerante que pode explodir quando os canais de gás do evaporador, as extensões do tubo ou os revestimentos da superfície são perfurados, causa irritações na pele ou ferimentos nos olhos.
- Não cubra ou bloqueie os orifícios de ventilação do seu frigorífico com nenhum tipo de material.
- Os dispositivos eléctricos só devem ser reparados por pessoas autorizadas. As reparações realizadas por pessoas incompetentes causam riscos ao utilizador.
- Em caso de qualquer falha quer durante uma manutenção ou num trabalho de reparação, desligue a alimentação eléctrica do seu frigorífico, desligando o fusível correspondente ou retirando a ficha da tomada.
- Não puxe pelo cabo quando for retirar a ficha da tomada.
- Coloque as bebidas com teor alcoólico

mais elevado bem fechadas e na vertical.

- Nunca guarde latas de aerossol inflamáveis e substâncias explosivas no frigorífico.
- Não utilize dispositivos mecânicos ou outros para acelerar o processo de descongelação. Siga apenas as instruções recomendadas pelo fabricante.
- Este produto não se destina a ser usado por pessoas com incapacidades físicas, sensoriais ou mentais ou sem conhecimento ou experiência (incluindo crianças), a menos que sejam supervisionadas por alguém responsável pela sua segurança ou que as instrua sobre o uso do produto.
- Não utilize um frigorífico avariado. Consulte o agente autorizado se tiver qualquer questão.
- A segurança eléctrica do seu frigorífico apenas poderá ser garantida se o sistema de ligação à terra da sua casa estiver em conformidade com as normas.
- A exposição do produto à chuva, neve, sol e vento é perigosa no que toca à segurança eléctrica.
- Para evitar qualquer perigo, contacte o serviço autorizado se o cabo eléctrico estiver danificado.
- Nunca ligue o frigorífico à tomada de parede durante a instalação. Caso contrário, poderá ocorrer perigo de morte ou ferimentos graves.
- Este frigorífico foi concebido unicamente para guardar alimentos. Não deverá ser utilizado para quaisquer outros fins.
- A etiqueta das especificações técnicas está localizada na parede esquerda no interior do frigorífico.
- Nunca ligue o seu frigorífico a sistemas de poupança de electricidade, pois podem danificá-lo.

- Se o frigorífico possuir luz azul, não olhe para ela com dispositivos ópticos.
- Para frigoríficos controlados manualmente, aguarde pelo menos 5 minutos para voltar a ligá-lo após uma falha eléctrica.
- Este manual de instruções deverá ser entregue ao novo proprietário do produto quando for dado/vendido a outros.
- Evite causar danos ao cabo eléctrico quando transportar o frigorífico. Dobrar o cabo pode causar incêndio. Nunca ponha objectos pesados no cabo eléctrico. Não toque na ficha com as mãos molhadas quando a introduz na tomada para ligar o produto.



- Não ligue o frigorífico à tomada, se a tomada de parede estiver solta.
- Não deverá ser vaporizado directamente nas partes interiores ou interiores do produto devido a razões de segurança.
- Para evitar risco de incêndio e explosão, não vaporize substâncias que contenham gases inflamáveis, tais como gás propano, etc., próximo ao frigorífico.
- Não coloque recipientes que contenham água sobre o topo do frigorífico, visto que tal poderá resultar em choque eléctrico ou incêndio.
- Não sobrecarregue o frigorífico com excesso de alimentos. Se

sobrecarregado, os alimentos podem cair e feri-lo a si e danificar o frigorífico ao abrir a porta. Nunca coloque objectos no topo do frigorífico, visto que estes podem cair quando se abre ou fecha a porta do frigorífico.

- Como precisam de um controlo de temperatura exacta, as vacinas, medicamentos sensíveis ao aquecimento, materiais científicos, etc., não deverão ser guardados no frigorífico.
- Se não for utilizado por um longo tempo, o frigorífico deve ser desligado da tomada. Qualquer problema possível no cabo eléctrico poderá resultar em incêndio.
- A extremidade da ficha eléctrica deverá ser limpa regularmente, caso contrário, poderá provocar incêndio.
- A extremidade da ficha eléctrica deverá ser limpa regularmente com um pano seco; caso contrário, poderá provocar incêndio.
- O frigorífico pode mover-se se os pés não estiverem devidamente fixados ao piso. O ajuste seguro e apropriado dos pés ao piso pode impedir o frigorífico se mova.
- Ao transportar o frigorífico, não segure pelo puxador da porta. Caso contrário, pode quebrar.
- Se posicionar o seu frigorífico próximo de outro frigorífico ou arca frigorífica, a distância entre os dispositivos deve ser de pelo menos 8 cm. Caso contrário, as paredes laterais adjacentes podem humedecer.

Para produtos com um dispensador de água;

A pressão da conduta de água deve ser de no mínimo 1 bar. A pressão da conduta de água deve ser de no máximo 8 bar.

- Use apenas água potável

Segurança com crianças

- Se a porta possuir uma fechadura, a chave deverá ser mantida afastada do alcance das crianças.
- As crianças devem ser vigiadas para impedir que brinquem com o produto.

Aviso HCA

O sistema de arrefecimento do seu produto contém R600a:

Este gás é inflamável. Por isso, tenha cuidado em não danificar o sistema de arrefecimento e a tubagem durante o uso e transporte. No caso de algum dano, mantenha o seu produto longe de potenciais fontes de fogo que possam fazer com que o produto de incendeie e ventile o compartimento no qual a unidade está colocada.

Ignore este aviso se o sistema de arrefecimento do seu produto contiver R134a:

O tipo de gás usado no produto está indicado na placa de características localizada na parede esquerda no interior do frigorífico.

Nunca elimine o seu produto no fogo.

O que se pode fazer para economizar energia

- Não deixe as portas do seu frigorífico abertas durante muito tempo.
- Não coloque alimentos ou bebidas quentes no seu frigorífico.
- Não sobrecarregue o seu frigorífico para que a circulação do ar no interior não seja dificultada.
- Não instale o seu frigorífico sob a luz solar directa ou próximo de aparelhos que emitem calor tais como fornos, máquinas de lavar louça ou radiadores.
- Tenha cuidado em manter os seus alimentos em recipientes fechados.
- Para produtos com um compartimento de congelador; Pode armazenar uma quantidade máxima de alimentos no congelador se remover a prateleira ou gaveta do congelador. O valor do consumo de energia indicado no seu frigorífico foi determinado removendo a prateleira do congelador ou a gaveta e com carga máxima. Não existe qualquer risco em utilizar uma prateleira ou gaveta de acordo com as formas e tamanhos dos alimentos a serem congelados.
- Descongelar os alimentos congelados no compartimento do frigorífico poupará energia e preservará a qualidade dos alimentos.

3 Instalação

⚠ Por favor, lembre-se que o fabricante não pode ser responsabilizado se não forem observadas as informações fornecidas no manual de instruções.

Pontos a serem considerados ao transportar novamente o seu frigorífico

1. O seu frigorífico deve ser esvaziado e limpo antes de ser transportado.
2. As prateleiras, acessórios, gaveta para frutas e legumes, etc. do seu frigorífico devem ser firmemente presos com fita adesiva, devido aos solavancos antes de voltar a empacotá-lo.
3. A embalagem deve ser amarrada com fitas grossas e cordas fortes e devem ser seguidas as normas de transporte indicadas na mesma.

Não se esqueça...

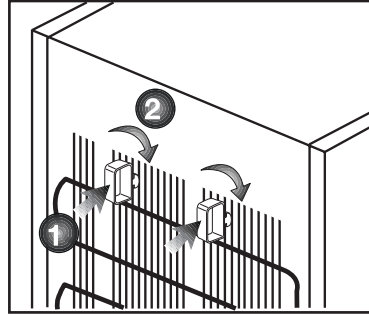
Todo material reciclado é uma fonte indispensável para a natureza e para os nossos recursos nacionais.

Se quiser contribuir para a reciclagem dos materiais da embalagem, pode obter mais informações nos organismos relativos ao ambiente ou junto das autoridades locais.

Antes de funcionar o seu frigorífico

Antes de iniciar a utilização do seu frigorífico, verifique o seguinte:

1. O interior do frigorífico está seco e o ar pode circular livremente na sua parte traseira?
2. Pode instalar os 2 calços plásticos como ilustrado na figura. Os calços plásticos proporcionarão a distância necessária entre o seu frigorífico e a parede, permitindo assim a livre circulação do ar. (A figura ilustrada é apenas um exemplo e pode não corresponder exactamente ao seu produto).



3. Limpe o interior do frigorífico conforme recomendado na secção “Manutenção e limpeza”.
4. Ligue o frigorífico à tomada eléctrica. A luz interior acender-se-á quando a porta do frigorífico for aberta.
5. Ouvirá um ruído quando o compressor começar a trabalhar. O líquido e os gases no interior do sistema de refrigeração também podem fazer algum ruído, mesmo que o compressor não esteja a funcionar, o que é perfeitamente normal.
6. As arestas da frente do frigorífico podem ficar quentes. Isto é normal. Estas arestas são projectadas para ficarem quentes, a fim de evitar a condensação.

Ligação eléctrica

Ligue o seu produto a uma tomada de terra, que esteja protegida por um fusível com a capacidade apropriada.

Importante:

- A ligação deve estar em concordância com os regulamentos nacionais.
- A ficha do cabo de alimentação deve estar facilmente acessível após a instalação.
- A voltagem especificada deve ser igual à sua voltagem eléctrica.
- Não devem ser usados cabos de extensão e fichas multiusos para a ligação.

⚠ Um cabo de alimentação danificado deve ser substituído por um electricista qualificado.

⚠ O produto não deve ser utilizado antes de ser reparado! Há risco de choque eléctrico!

Eliminação da embalagem

Os materiais de embalagem podem ser perigosos para as crianças. Guarde os materiais da embalagem fora do alcance das crianças ou elimine-os, classificando-os de acordo com as instruções sobre o lixo. Não os elimine juntamente com o lixo doméstico normal.

A embalagem do seu frigorífico é produzida com materiais recicláveis.

Eliminação do seu frigorífico velho

Elimine a sua máquina velha sem causar qualquer perigo ao meio ambiente.

- Pode consultar o seu revendedor autorizado ou o centro de recolha do lixo do seu município a respeito da eliminação do seu frigorífico.

Antes de se desfazer do seu frigorífico, corte a ficha eléctrica e, se houver trincos nas portas, deixe-os inutilizados, a fim de proteger as crianças contra qualquer perigo.

Colocação e instalação

⚠ Se a porta de entrada do compartimento onde o frigorífico será instalado não for o suficientemente larga para que ele passe, chame o serviço de assistência autorizado para que possam remover as portas do seu frigorífico e passá-lo de forma inclinada através da porta.

1. Instale o seu frigorífico num local que permita fácil acesso.
2. Mantenha o seu frigorífico longe das fontes de calor, lugares húmidos e luz solar directa.
3. Deve existir uma circulação de ar adequada à volta do seu frigorífico,

para que obtenha um funcionamento eficiente.

Se o frigorífico for colocado numa reentrância da parede, deve haver uma distância mínima de 5cm do tecto e, pelo menos, 5 cm da parede.

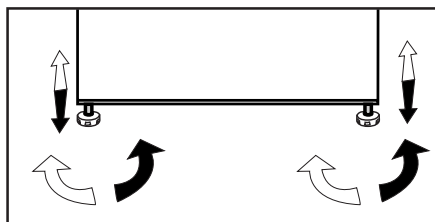
Se o piso for coberto por alcatifa, o seu produto deve ter uma elevação de 2,5 cm do chão.

4. Coloque o seu frigorífico num pavimento uniforme para evitar solavancos.

5. Não mantenha o seu frigorífico em temperaturas ambientes inferiores a 10°C.

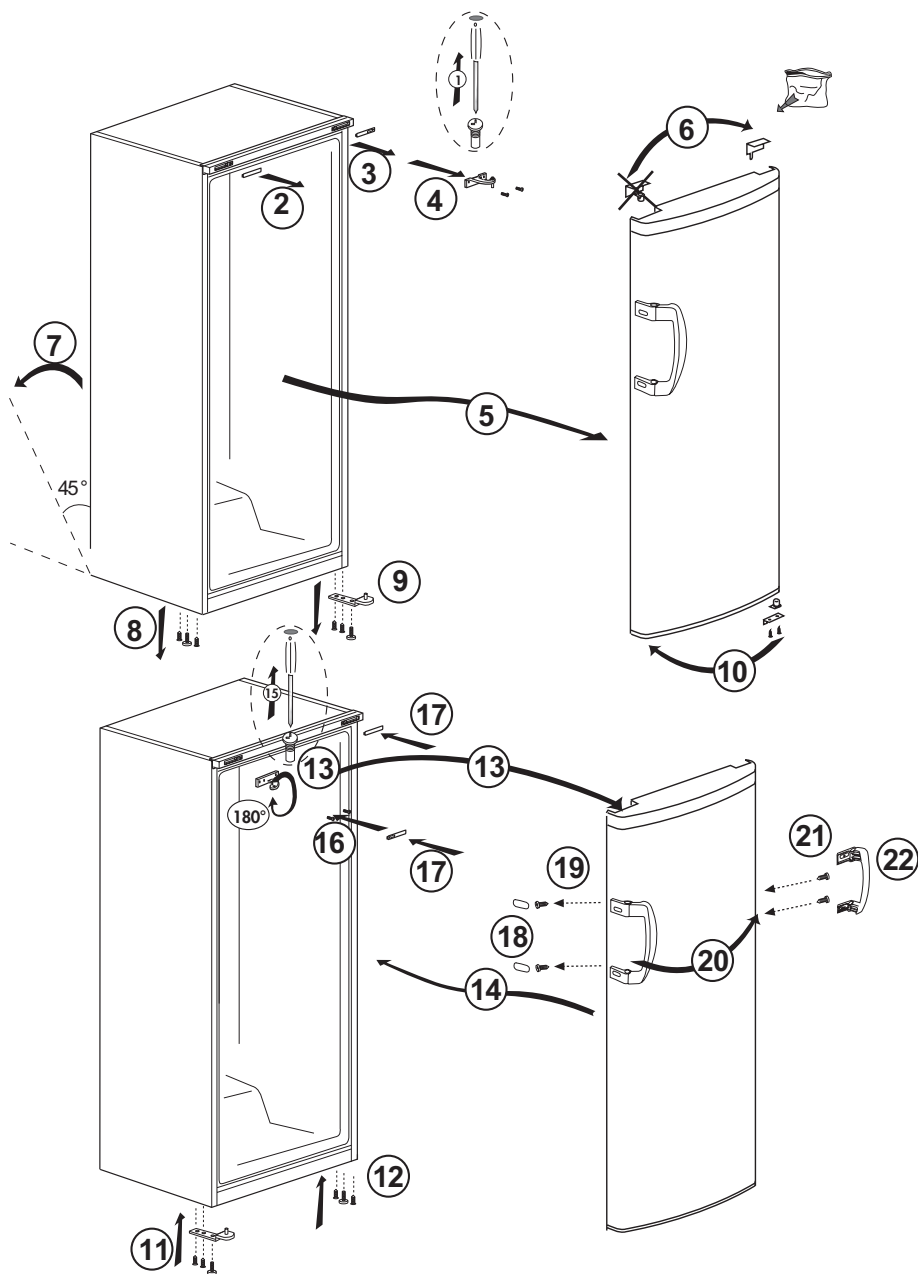
Ajuste dos pés

Se o seu frigorífico estiver desnivelado; Pode equilibrar o seu frigorífico, rodando os seus pés frontais conforme ilustrado na figura. O canto onde está o pé é baixado quando roda na direcção da seta preta e levantado quando roda na direcção oposta. Peça ajuda a alguém para erguer ligeiramente o frigorífico, facilitará este processo.



Inverter as portas

Proceda em ordem numérica.



4 Preparação

- i** O seu frigorífico deverá ser instalado a uma distância mínima de 30 cm de quaisquer fontes de calor, tais como placas, fornos, aquecimento central e fogões e de 5 cm de fornos eléctricos e não deverá ficar exposto directamente à luz solar.
- i** A temperatura ambiente do compartimento onde está instalado o seu frigorífico não deve ser inferior a 10°C. Utilizar o seu frigorífico em condições de temperatura mais baixas não é recomendado em atenção à sua eficiência.
- i** Certifique-se de que o interior do seu frigorífico esteja completamente limpo.
- i** Se forem instalados dois frigoríficos lado a lado, deverá existir uma distância mínima de 2 cm entre eles.
- i** Quando utilizar o seu frigorífico pela primeira vez, por favor, observe as seguintes instruções durante as seis horas iniciais.
 - A porta não deverá ser aberta frequentemente.
 - Deve começar a funcionar vazio, sem alimentos no interior.
 - Não retire a ficha da tomada do seu frigorífico. Se houver uma falha de energia inesperada, por favor consulte os avisos na secção “Soluções recomendadas para os problemas”.
- i** A embalagem original e os materiais de esponja deverão ser guardados para transportes ou deslocações futuras.

5 Utilizar o seu frigorífico

Ajuste da temperatura de funcionamento



A temperatura de funcionamento é regulada pelo respectivo controlo.

1 = Definição de arrefecimento mais baixa (Definição mais quente)

MAX. = Definição de arrefecimento mais elevada (Definição mais fria)

Escolha a definição de acordo com a temperatura pretendida.

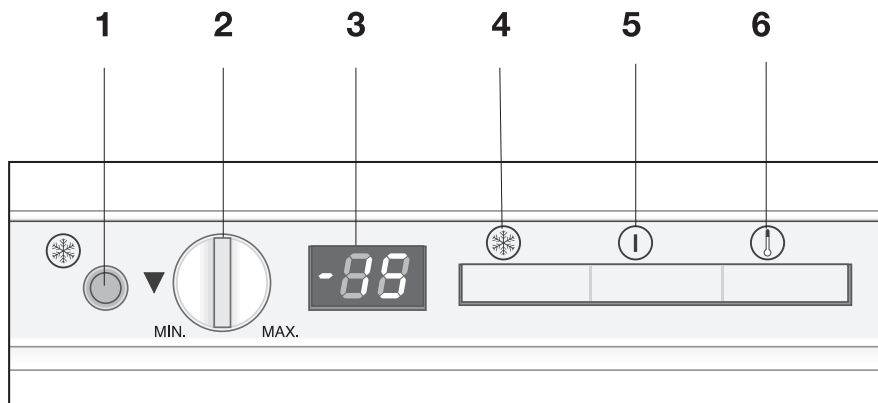
A temperatura inferior também depende da temperatura ambiente, da frequência com que a porta é aberta e da quantidade de alimentos mantidos no interior do equipamento.

A abertura frequente da porta faz subir a temperatura inferior.

Assim, recomendamos o fecho da porta o mais rapidamente possível após a utilização.

A temperatura normal de armazenamento do frigorífico deve ser de $-18\text{ }^{\circ}\text{C}$ ($0\text{ }^{\circ}\text{F}$). Podem ser obtidas temperaturas mais baixas regulando o termostato para a Posição MAX.

Recomendamos que verifique a temperatura com um termómetro, para garantir que os compartimentos de armazenamento se mantêm à temperatura pretendida. Deve verificar a temperatura muito rapidamente, porque a temperatura do termómetro subirá também muito rapidamente após ser retirado do congelador.



Indicadores LED e painel de controle

Os indicadores LED na parte frontal do seu frigorífico estão concebidos para o ajudar na monitorização do funcionamento do seu equipamento.

Conserve os seus alimentos no frigorífico em segurança através da monitorização e usando esses LED's e controlos, conforme explicado a seguir:

Botão Fast Freeze (Congelamento rápido) (1): Usado para congelar rapidamente os alimentos. O compressor pode não funcionar imediatamente, mas só após algum tempo depois do botão ter sido premido; isso é perfeitamente normal.

Botão de definição do termostato (2): Usado para ajustar o seu frigorífico entre os valores mínimos e máximos.

Indicador da temperatura (3): Mostra a temperatura interior do seu frigorífico.

LED laranja (4): Acende quando o botão de congelamento rápido no painel LED é premido. Nesse caso, o seu frigorífico funciona continuamente.

Prima novamente o botão quando os alimentos que pretende congelar atingirem a temperatura desejada e o LED laranja apagar-se-á.

LED verde (5): Acende continuamente após ligar o seu frigorífico.

LED vermelho (6): Ao acender continuamente, avisa o utilizador quando não há arrefecimento suficiente no frigorífico, quando a porta permanece aberta durante um longo tempo e quando é carregado em excesso com alimentos.

Se o LED vermelho acender continuamente quando as condições estabelecidas na coluna adjacente não existirem, chame então a Assistência autorizada.

Congelar

Congelar alimentos

O compartimento do congelador está marcado com este símbolo.

Pode utilizar o equipamento para congelar alimentos frescos, bem como para guardar alimentos pré-congelados.

Consulte as recomendações fornecidas na embalagem do alimento.

⚠ Atenção

Não congele bebidas gaseificadas já que a garrafa pode rebentar quando o líquido estiver congelado.

Tenha cuidado com os produtos congelados, como os cubos de gelo coloridos.

Não ultrapasse a capacidade de congelação do equipamento por um período superior a 24 horas. Consulte a placa de características.

Para manter a qualidade dos alimentos, o congelamento deve ser efectuado o mais rapidamente possível.

Assim, a capacidade de congelação não será excedida, e a temperatura no interior do congelador não aumentará.

⚠ Atenção

Mantenha os alimentos já congelados sempre separados dos alimentos guardados frescos.

Quando congelar alimentos quentes, o compressor de arrefecimento funcionará até os alimentos estarem completamente congelados. Esta situação pode provocar, temporariamente, um arrefecimento excessivo do compartimento de refrigeração.

Se tiver dificuldade em abrir a porta do congelador, após ela ter sido aberta, não se preocupe. Esta situação deve-se à diferença de pressão de compensação. Após alguns minutos a porta abrir-se-á normalmente.

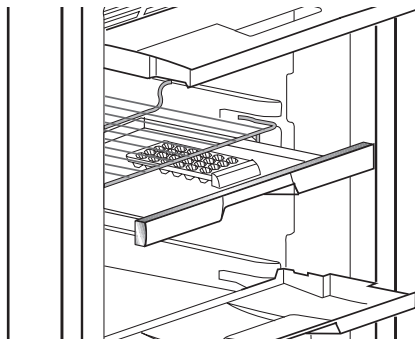
Ouvirá um som de vácuo logo após o fecho da porta. Esta situação é perfeitamente normal.

Fazer cubos de gelo

Encha as formas para gelo até 3/4 da sua capacidade e coloque-as no congelador.

Assim que a água se transformar em gelo, pode retirar os cubos.

Nunca utilize objectos pontiagudos, como facas ou garfos, para remover os cubos de gelo. Este procedimento pode causar lesões!



Deixe os cubos de gelo descongelarem ligeiramente, ou coloque o fundo da forma em água quente durante um curto espaço de tempo.

Congelação rápida

Se pretender congelar grandes quantidades de alimentos frescos, ajuste o botão de controlo para no máx. 24 horas antes de colocar os alimentos frescos no compartimento de congelação rápida.

Recomendamos fortemente que deixe o botão na posição MAX., pelo menos, 24 horas para congelar a quantidade máxima de alimentos frescos declarada como a capacidade de congelação. Tenha um cuidado especial para não misturar alimentos já congelados com alimentos frescos.

Quando o botão de congelação rápida é ligado, a informação -27 graus ficará intermitente durante 5 segundos no visor (6). A congelação rápida destina-se à congelação de alimentos frescos (Consulte a secção Congelar alimentos frescos).

Descongelação do equipamento

O aparelho descongela automaticamente.

6 Manutenção e limpeza

- ⚠ Nunca use gasolina, benzeno ou substâncias semelhantes para a limpeza.
- ⚠ Recomendamos que desligue a ficha do equipamento da tomada antes da limpeza.
- ℹ Nunca utilize na limpeza objectos abrasivos ou pontiagudos, sabões, produtos de limpeza doméstica, detergentes ou ceras abrillantadoras.
- ℹ Utilize água morna para limpar o exterior do seu frigorífico e seque-o com um pano.
- ℹ Utilize um pano humedecido numa solução composta por uma colher de chá de bicarbonato de soda dissolvido em cerca de meio litro de água para limpar o interior e depois seque-o.
- ⚠ Certifique-se de que não entra água no compartimento da lâmpada e nos outros itens eléctricos.
- ⚠ Se o seu frigorífico não for utilizado durante um longo período de tempo, remova o cabo de alimentação, retire todos os alimentos, limpe-o e deixe a porta entreaberta.
- ℹ Verifique regularmente as borrachas vedantes da porta, para se assegurar que elas estão limpas e sem restos de alimentos.
- ℹ Para remover os suportes da porta, retire todo o seu conteúdo e, em seguida, apenas puxe cuidadosamente o seu suporte para cima a partir da base.

Protecção das superfícies plásticas

- ℹ Não coloque óleos líquidos ou comidas cozinhadas no óleo no seu frigorífico em recipientes abertos, uma vez que podem danificar as superfícies plásticas do seu frigorífico. No caso de derrame ou salpico de óleo nas superfícies plásticas, limpe e enxagúe a parte correspondente da superfície com água morna.

7 Soluções recomendadas para os problemas

Por favor, reveja esta lista antes de telefonar para a assistência. Com isso, pode poupar tempo e dinheiro. Esta lista abrange as reclamações frequentes resultantes de defeitos de fabricação ou utilização do material. Algumas das funções descritas aqui podem não existir no seu produto.

O frigorífico não funciona
<ul style="list-style-type: none">• O frigorífico tem a ficha eléctrica ligada correctamente à tomada? Introduza a ficha na tomada de parede.• O fusível da tomada na qual o frigorífico está ligado ou o fusível principal não está queimado? Verifique o fusível.
Condensação na parede lateral do compartimento do frigorífico. (MULTI ZONA, CONTROLO DE ARREFECIMENTO e FLEXI ZONA)
<ul style="list-style-type: none">• Condições ambientais muito frias. Abertura e fecho frequentes da porta. Condições ambientais de alta humidade. Armazenamento de alimentos que contém líquidos em recipientes abertos. A porta foi deixada entreaberta.• Comute o termóstato para um grau mais frio.• Diminua o número de vezes de abertura da porta ou utilize menos frequentemente.• Cubra os alimentos guardados em recipientes abertos com um material apropriado.• Limpe a condensação usando um pano seco e verifique, se persistir.
O compressor não está a funcionar.
<ul style="list-style-type: none">• A protecção térmica do compressor deixará de funcionar durante falhas eléctricas repentinas ou na extracção/colocação da ficha eléctrica, já que a pressão refrigerante no sistema de arrefecimento do frigorífico ainda não se encontra estabilizada.• O seu frigorífico voltará a funcionar aproximadamente 6 minutos depois. Por favor, chame a assistência se o seu frigorífico não começar a operar no fim deste período.• O refrigerador está no ciclo de descongelação. Isto é normal num frigorífico de descongelação totalmente automático. O ciclo de descongelação ocorre periodicamente.• O seu frigorífico não está ligado à tomada. Certifique-se de que a ficha está introduzida firmemente na tomada de parede.• A regulação da temperatura está feita correctamente? Há uma falha eléctrica. Telefone para a empresa de electricidade.

O refrigerador está a funcionar frequentemente ou por um longo tempo.

- O seu novo frigorífico pode ser mais largo do que o anterior. Esta situação é perfeitamente normal. Os frigoríficos grandes operam por um período maior de tempo.
- A temperatura ambiente pode estar elevada. Isto é bastante normal.
- O frigorífico foi ligado à tomada há pouco tempo ou carregado com alimentos. O arrefecimento total do frigorífico pode demorar mais do que duas horas.
- Podem ter sido colocadas recentemente grandes quantidades de alimentos quentes no frigorífico. Os alimentos quentes obrigam a um funcionamento mais vigoroso do frigorífico até que alcance a temperatura segura de armazenamento.
- As portas podem estar a ser abertas frequentemente ou foram deixadas entreabertas por longo tempo. O ar quente que entrou no frigorífico faz com que o mesmo tenha que funcionar por períodos mais longos. Abra as portas com menos frequência.
- A porta do compartimento do refrigerador ou do congelador pode ter sido deixada entreaberta. Verifique se as portas estão completamente fechadas.
- O frigorífico está ajustado para uma temperatura muito baixa. Ajuste a temperatura do frigorífico para um grau mais quente e aguarde até que a temperatura seja atingida.
- O vedante da porta do refrigerador ou do congelador pode estar sujo, gasto, roto ou não ajustado correctamente. Limpe ou substitua o vedante. O vedante danificado/ roto faz com que o frigorífico funcione por um período de tempo maior para que mantenha a temperatura actual.

A temperatura do congelador está muito baixa, enquanto que a temperatura do refrigerador é suficiente.

- A temperatura do congelador está ajustada para uma temperatura muito baixa. Ajuste a temperatura do congelador para um grau mais quente e verifique.

A temperatura do refrigerador está muito baixa, enquanto que a temperatura do congelador é suficiente.

- A temperatura do refrigerador está ajustada para uma temperatura muito baixa. Ajuste a temperatura do refrigerador para um grau mais quente e verifique.

Os alimentos guardados nas gavetas do compartimento do refrigerador estão congelados.

- A temperatura do refrigerador está ajustada para uma temperatura muito baixa. Ajuste a temperatura do refrigerador para um grau mais quente e verifique.

A temperatura no refrigerador ou no congelador é muito alta.

- A temperatura do refrigerador está ajustada para um grau muito alto. O ajuste do refrigerador tem efeito na temperatura do congelador. Altere a temperatura do refrigerador ou do congelador até que a temperatura do refrigerador ou do congelador atinja um nível suficiente.
- A porta pode ter sido deixada entreaberta. Feche totalmente a porta.
- Podem ter sido colocadas recentemente grandes quantidades de alimentos quentes no frigorífico. Aguarde até que o refrigerador ou o congelador atinja a temperatura desejada.
- O frigorífico pode ter sido ligado à tomada há pouco tempo. O arrefecimento total do frigorífico demora um certo tempo devido ao seu tamanho.

Surge do frigorífico um ruído semelhante ao som dos segundos ouvido a partir de um relógio analógico.

- Este ruído é oriundo da válvula selenóide do frigorífico. A válvula selenóide funciona com a finalidade de assegurar a passagem do spray de arrefecimento através do compartimento que pode ser ajustado para temperaturas de arrefecimento ou de congelação e executa funções de arrefecimento. Esta situação é normal e não é causa de problema.

O ruído de funcionamento aumenta quando o frigorífico está a funcionar.

- As características do desempenho de funcionamento do frigorífico podem variar conforme as alterações na temperatura ambiente. Esta situação é normal e não é um problema.

Vibrações ou ruído.

- O piso não está nivelado ou não é resistente. O frigorífico balança quando deslocado lentamente. Certifique-se de que o piso está nivelado, é resistente e capaz de suportar o frigorífico.
- O ruído pode ser causado pelos itens colocados sobre o frigorífico. Tais itens devem ser retirados de cima do frigorífico.

Há ruídos como líquidos a verter ou gotejar.

- Os fluxos de gás e líquidos acontecem conforme os princípios de funcionamento do seu frigorífico. Esta situação é normal e não é um problema.

Há um ruído parecido com o vento a soprar.

- Os activadores de ar (ventoinhas) são usados para permitir que o frigorífico arrefeça eficientemente. Esta situação é normal e não é um problema.

Condensação nas paredes internas do frigorífico.

- O tempo quente e húmido aumenta a formação de gelo e de condensação. Esta situação é normal e não é um problema.
- As portas estão entreabertas. Certifique-se que as portas estejam completamente fechadas.
- As portas podem estar a ser abertas com muita frequência ou estão a ser deixadas abertas por muito tempo. Abra a porta com menos frequência.

Há ocorrência de humidade no exterior do frigorífico ou entre as portas.

- O tempo pode estar húmido. Isto é bastante normal num tempo húmido. Quando a humidade for menor, a condensação irá desaparecer.

Maus odores dentro do frigorífico.

- O interior do frigorífico deve ser limpo. Limpe o interior do frigorífico com uma esponja, água quente ou água com gás.
- Alguns recipientes ou materiais de embalagem podem exalar cheiros. Utilize um recipiente diferente ou um material de embalagem de marca diferente.

A(s) porta(s) não está(ão) fechada(s).

- Os pacotes de alimentos podem impedir o fecho da porta. Coloque de outra forma as embalagens que estão a obstruir a porta.
- O frigorífico pode não estar completamente na vertical no piso e poderá balançar quando ligeiramente movido. Ajuste os parafusos de elevação.
- O piso não é sólido ou não está nivelado. Certifique-se de que o piso está nivelado e capaz de suportar o frigorífico.

As gavetas para frutos e legumes estão bloqueadas.

- Os alimentos podem estar a tocar o tecto da gaveta. Arrume novamente os alimentos na gaveta.

Lea este manual antes de utilizar el frigorífico.

Estimado cliente:

Esperamos que este aparato, que ha sido fabricado en plantas dotadas de la más avanzada tecnología y sometido a los más estrictos procedimientos de control de calidad, le preste un servicio eficaz.

Para ello, le recomendamos que lea atentamente el presente manual antes de utilizar el aparato, y que lo tenga a mano para futuras consultas.




Este manual

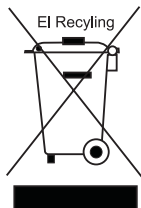
- Le ayudará a usar el electrodoméstico de manera rápida y segura.
- Lea el manual antes de instalar y poner en funcionamiento el aparato.
- Siga las instrucciones, en particular las relacionadas con la seguridad.
- Conserve el manual en un sitio de fácil acceso, ya que podría necesitarlo en el futuro.
- Lea también los demás documentos suministrados junto con el aparato.

Tenga en cuenta que este manual también podría ser válido para otros modelos.

Símbolos y sus descripciones

El presente manual de instrucciones emplea los siguientes símbolos:

-  Información importante o consejos útiles sobre el funcionamiento.
-  Advertencia sobre situaciones peligrosas para la vida y la propiedad.
-  Advertencia acerca de la tensión eléctrica.



Este producto incorpora el símbolo de recogida selectiva de residuos de equipos eléctricos y electrónicos.

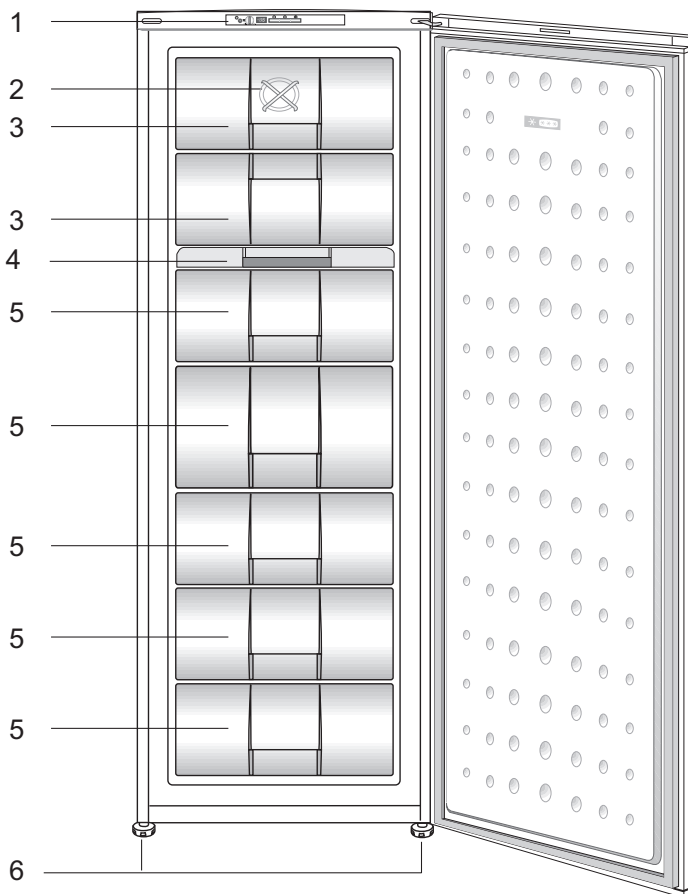
Ello significa que este producto debe ser manipulado teniendo en cuenta la Directiva Europea 2002/96/EC, en orden de ser reciclado o recuperado para minimizar su impacto en el medio ambiente. Para más información rogamos contacte con las autoridades locales o regionales más próximas a su domicilio.

Los productos electrónicos no incluidos en el proceso de recogida selectiva son potencialmente peligrosos para el medio ambiente y la salud humana debido a la presencia de ciertas sustancias.

ÍNDICE

1 Su frigorífico	3	4 Preparación	10
2 Avisos importantes sobre la seguridad	4	5 Uso del frigorífico	11
Finalidad prevista.....	4	Indicadores LED y panel de control .	12
Productos equipados con dispensador de agua:	6	Congelación	13
Seguridad infantil.....	6	Cubitos de hielo	13
Advertencia sobre la seguridad de la salud	6	6 Mantenimiento y limpieza	15
Consejos para el ahorro de energía ...	6	Protección de las superficies de plástico	15
3 Instalación	7	7 Sugerencias para la solución de problemas	16
Cuestiones a considerar a la hora de transportar el frigorífico	7		
Antes de usar el frigorífico.....	7		
Ajuste de los pies	8		
Eliminación del embalaje.....	8		
Eliminación de su viejo frigorífico.....	8		
Colocación e instalación	8		
Inversión de las puertas	9		

1 Su frigorífico



1. Panel de control
2. Ventilador
3. Solapa (Compartimento de congelación rápida)
4. Cubitera y compartimento para hielo
5. Cajones
6. Pies delanteros ajustables

i Las ilustraciones incluidas en el presente manual de instrucciones son esquemáticas y puede que no se adecúen a su aparato con exactitud. Si alguno de los elementos reflejados no se corresponde con el aparato que usted ha adquirido, entonces será válido para otros modelos.

2 Avisos importantes sobre la seguridad

Lea con atención la siguiente información. No tener en cuenta dicha información podría acarrear lesiones o daños materiales. En tal caso, las garantías y los compromisos de fiabilidad quedarían anulados.

La vida útil de la unidad adquirida es de 10 años. Éste es el período durante el cual se garantiza la disponibilidad de las piezas de repuesto para la unidad.

Finalidad prevista

Este aparato está diseñado para usarse en los siguientes entornos:

- interiores y entornos cerrados tales como domicilios particulares;
- entornos cerrados de trabajo tales como almacenes u oficinas;
- zonas de servicio cerradas tales como casas rurales, hoteles o pensiones.
- Este aparato no se debe usar al aire libre.

Seguridad general

- Cuando desee deshacerse del aparato, le recomendamos que solicite a su servicio técnico autorizado la información necesaria a este respecto, así como la relación de entidades locales a las que puede dirigirse.
- En caso de dudas o problemas, diríjase a su servicio técnico autorizado. No intente reparar el frigorífico sin consultar con el servicio técnico, ni deje que nadie lo haga.
- Para aparatos equipados con un compartimento congelador: no consuma los helados o cubitos de hielo inmediatamente después de sacarlos del compartimento congelador, ya que podría sufrir daños en su boca a causa del frío.
- Para aparatos equipados con un compartimento congelador: no deposite bebidas embotelladas o enlatadas en el compartimento congelador, ya que

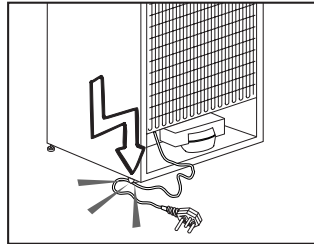
podrían estallar.

- No toque con la mano los alimentos congelados, ya que podrían adherirse a ella.
- Desenchufe su frigorífico antes de proceder a su limpieza o deshielo.
- No utilice nunca materiales de limpieza que usen vapor para limpiar o descongelar el frigorífico. El vapor podría entrar en contacto con los elementos eléctricos y causar cortocircuitos o descargas eléctricas.
- No utilice nunca elementos del frigorífico tales como la puerta como medio de sujeción o como escalón.
- No utilice aparatos eléctricos en el interior del frigorífico.
- Evite dañar el circuito del refrigerante con herramientas cortantes o de perforación. El refrigerante que puede liberarse si se perforan los canales de gas del evaporador, los conductos o los recubrimientos de las superficies causa irritaciones en la piel y lesiones en los ojos.
- No cubra ni bloquee los orificios de ventilación de su frigorífico con ningún material.
- Deje la reparación de los aparatos eléctricos únicamente en manos de personal autorizado. Las reparaciones realizadas por personas incompetentes generan riesgos para el usuario.
- En caso de fallo o cuando vaya a realizar cualquier operación de reparación o mantenimiento, desconecte el frigorífico de la corriente apagando el fusible correspondiente o bien desenchufando el aparato.
- No desenchufe el aparato de la toma de corriente tirando del cable.
- Coloque las bebidas de mayor graduación alcohólica juntas y en posición vertical.

- No almacene en el frigorífico aerosoles que contengan sustancias inflamables o explosivas.
- No utilice dispositivos mecánicos u otros medios para acelerar el proceso de deshielo distintos de los recomendados por el fabricante.
- Este aparato no debe ser utilizado por niños o por personas con sus facultades físicas, sensoriales o mentales reducidas o bien que carezcan de la experiencia y los conocimientos necesarios, a menos que lo hagan bajo la supervisión de personas responsables de su seguridad o bien tras haber recibido instrucciones de uso por parte de dichas personas.
- No utilice un frigorífico que haya sufrido daños. Consulte con el servicio de atención al cliente en caso de duda.
- La seguridad eléctrica de su frigorífico sólo estará garantizada si el sistema de toma de tierra de su domicilio se ajusta a los estándares.
- Desde el punto de vista de la seguridad eléctrica, es peligroso exponer el aparato a la lluvia, la nieve o el viento.
- Póngase en contacto con el servicio técnico autorizado en caso de que el cable de alimentación principal se dañe, para evitar cualquier peligro.
- Nunca enchufe el frigorífico en la toma de corriente durante su instalación. Existe peligro de lesiones graves e incluso de muerte.
- Este frigorífico está únicamente diseñado para almacenar alimentos. No debe utilizarse para ningún otro propósito.
- La etiqueta que contiene los datos técnicos del frigorífico se encuentra en la parte interior izquierda del mismo.
- Jamás conecte el frigorífico a sistemas de ahorro de electricidad, ya que podría dañarlo.
- Si el frigorífico está equipado con una luz azul, no la mire a través de dispositivos ópticos.
- En los frigoríficos de control manual, si se produce un corte del fluido eléctrico

espere al menos 5 minutos antes de volver a ponerlo en marcha.

- Cuando entregue este aparato a un nuevo propietario, asegúrese de entregar también este manual de instrucciones.
- Tenga cuidado de no dañar el cable de alimentación al transportar el frigorífico. Doblar el cable podría causar un incendio. Nunca deposite objetos pesados encima del cable de alimentación. No toque el enchufe con las manos mojadas para conectar el aparato.



- No enchufe el frigorífico si el enchufe no encaja con firmeza en la toma de corriente de la pared.
- Por razones de seguridad, no pulverice agua directamente en las partes interiores o exteriores de este aparato.
- No rocíe cerca del frigorífico sustancias que contengan gases inflamables tales como gas propano para evitar riesgos de incendio y explosiones.
- Nunca coloque recipientes con agua sobre el frigorífico, ya que podría provocar una descarga eléctrica o un incendio.
- No deposite cantidades excesivas de alimentos en el frigorífico. Si lo hace, al abrir la puerta del frigorífico los alimentos podrían caerse y provocar lesiones personales o dañar el frigorífico. Nunca coloque objetos sobre el frigorífico, ya que podrían caer al abrir o cerrar la puerta.
- No guarde en el frigorífico productos que necesiten un control preciso de la temperatura tales como vacunas, medicamentos sensibles al calor, materiales científicos, etc.
- Desenchufe el frigorífico si no lo va a

utilizar durante un periodo prolongado de tiempo. Un problema en el cable de alimentación podría causar un incendio.

- Limpie regularmente la punta del enchufe, ya que de lo contrario puede provocar un incendio.
- Limpie regularmente la punta del enchufe con un paño seco; de lo contrario podría provocarse un incendio.
- El frigorífico podría moverse si los pies no están adecuadamente asentados en el suelo. Fijar adecuadamente los pies del frigorífico en el suelo puede ayudar a evitar que se mueva.
- Cuando transporte el frigorífico, no lo aferre del asa de la puerta. De lo contrario, podría romperla.
- Cuando tenga que colocar el frigorífico cerca de otro frigorífico o congelador, deberá dejar un espacio entre ambos aparatos de 8 cm como mínimo. De lo contrario, podría formarse humedad en las paredes adyacentes.

Productos equipados con dispensador de agua:

La presión de la red de suministro de agua debe ser de un mínimo de 1 bar. La presión de la red de suministro de agua debe ser de 8 bares como máximo.

- Use agua potable únicamente.

Seguridad infantil

- Si la puerta tiene cerradura, mantenga la llave fuera del alcance de los niños.
- Vigile a los niños para evitar que manipulen el aparato.

Advertencia sobre la seguridad de la salud

Si el sistema de refrigeración de su aparato contiene R600a:

Este gas es inflamable. Por lo tanto, procure no dañar el sistema de enfriamiento ni sus conductos durante el uso o el transporte del aparato. En caso de daños, mantenga el aparato alejado de fuentes potenciales de ignición que puedan

provocar que éste sufra un incendio, y ventile la estancia en la que se encuentre el aparato.

Ignore esta advertencia si el sistema de refrigeración de su aparato contiene R134a.

El tipo de gas utilizado en el aparato se indica en la placa de datos ubicada en la pared interior izquierda del frigorífico.

Jamás arroje el aparato al fuego.

Consejos para el ahorro de energía

- No deje las puertas del frigorífico abiertas durante periodos largos de tiempo.
- No introduzca alimentos o bebidas calientes en el frigorífico.
- No sobrecargue el frigorífico, ya que entorpecería la circulación del aire en su interior.
- No instale el frigorífico de forma que quede expuesto a la luz solar directa o cerca de aparatos que irradian calor tales como hornos, lavavajillas o radiadores.
- Procure depositar los alimentos en recipientes cerrados.
- Productos equipados con compartimento congelador: puede disponer del máximo volumen para el depósito de alimentos retirando el estante o el cajón del congelador. El consumo energético que se indica para su frigorífico se ha calculado retirando el estante o el cajón del congelador y en condiciones de máxima carga. No existe ningún riesgo en la utilización de un estante o cajón según las formas o tamaños de los alimentos que se van a congelar.
- Descongele los alimentos congelados en el compartimento frigorífico; ahorrará energía y preservará la calidad de los alimentos.

3 Instalación

⚠ Recuerde que el fabricante declina toda responsabilidad en caso de no observancia de la información contenida en el presente manual.

Cuestiones a considerar a la hora de transportar el frigorífico

1. El frigorífico debe estar vacío y limpio antes de proceder a su transporte.
2. Los estantes, accesorios, el cajón de frutas y verduras, etc., deben sujetarse con cinta adhesiva antes de embalar el frigorífico para evitar que se muevan.
3. Encinte el frigorífico una vez embalado con cinta gruesa y fíjelo con cuerdas resistentes. Siga las reglas de transporte que encontrará impresas en el propio embalaje.

No olvide que:

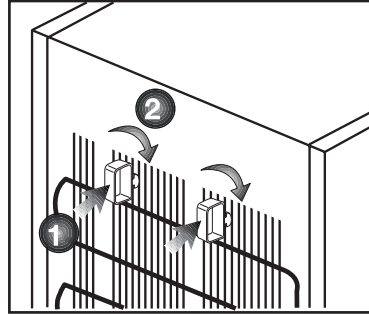
El reciclaje de materiales es un asunto de vital importancia para la naturaleza y para los recursos del país.

Si desea contribuir al reciclaje de los materiales de embalaje, solicite más información a los responsables medioambientales de su zona o a las autoridades locales.

Antes de usar el frigorífico

Antes de empezar a usar el frigorífico, verifique lo siguiente:

1. El interior del frigorífico está seco y el aire puede circular con libertad por su parte posterior.
2. Puede instalar las dos cuñas de plástico tal y como se muestra en la ilustración. Las cuñas de plástico proporcionarán la distancia requerida entre su frigorífico y la pared para una correcta circulación del aire. (La figura es sólo un ejemplo y puede que no se corresponda con exactitud con su aparato.)



3. Limpie el interior del frigorífico de la forma recomendada en la sección “Mantenimiento y Limpieza”.
4. Enchufe el frigorífico a la toma de corriente. Al abrir la puerta del frigorífico, la luz interior del compartimento frigorífico se enciende.
5. Se oye un ruido cada vez que el compresor se pone en funcionamiento. El líquido y los gases contenidos en el sistema de refrigeración pueden también generar ruidos, incluso aunque el compresor no esté funcionando, lo cual es normal.
6. Es posible que las aristas delanteras del aparato se noten calientes al tacto, cosa que es perfectamente normal. Estas zonas deben permanecer calientes para evitar la condensación.

Conexiones eléctricas

Conecte el frigorífico a una toma de corriente provista de toma de tierra y protegida por un fusible de la capacidad adecuada.

Importante:

- La conexión debe cumplir con las normativas nacionales.
- El enchufe de alimentación debe ser fácilmente accesible tras la instalación.
- La tensión especificada debe corresponder a la tensión de la red eléctrica.
- No use cables de extensión ni enchufes múltiples para conectar la unidad.

⚠ En caso de que el cable de alimentación esté dañado, solicite su sustitución a un electricista cualificado.

⚠ ¡No ponga en funcionamiento el aparato hasta que no esté reparado! ya que existe peligro de cortocircuito.

Eliminación del embalaje

Los materiales de empaque pueden ser peligrosos para los niños. Manténgalos fuera de su alcance o deshágase de ellos clasificándolos según las instrucciones para la eliminación de residuos. No los tire junto con los residuos domésticos normales.

El embalaje del frigorífico se ha fabricado con materiales reciclables.

Eliminación de su viejo frigorífico

Deshágase de su viejo frigorífico de manera respetuosa con el medio ambiente.

- Consulte las posibles alternativas a un distribuidor autorizado o al centro de recogida de residuos de su municipio.

Antes de proceder a la eliminación del frigorífico, corte el enchufe y, si las puertas tuvieran cierres, destrúyalos para evitar que los niños corran riesgos.

Colocación e instalación

⚠ Si la puerta de entrada a la estancia donde va a instalar el frigorífico no es lo suficientemente ancha como para permitir su paso, solicite al servicio técnico que retire las puertas del frigorífico y lo pase de lado a través de la puerta.

1. Instale el frigorífico en un lugar en el que pueda utilizarse con comodidad.
2. Mantenga el frigorífico alejado de fuentes de calor y lugares húmedos y evite su exposición directa a la luz solar.
3. Para que el frigorífico funcione con la máxima eficacia, debe instalarse en una zona que disponga de una ventilación adecuada.

Si el frigorífico va a instalarse en un hueco de la pared, debe dejarse un mínimo de 5 cm de separación con el techo y de 5 cm con las paredes.

Si el suelo está cubierto con una alfombra, deberá elevar el frigorífico 2,5 cm del suelo.

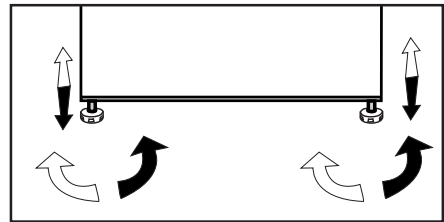
4. Coloque el frigorífico sobre una superficie lisa para evitar sacudidas.

5. No instale el frigorífico en estancias cuya temperatura ambiente sea inferior a 10 °C.

Ajuste de los pies

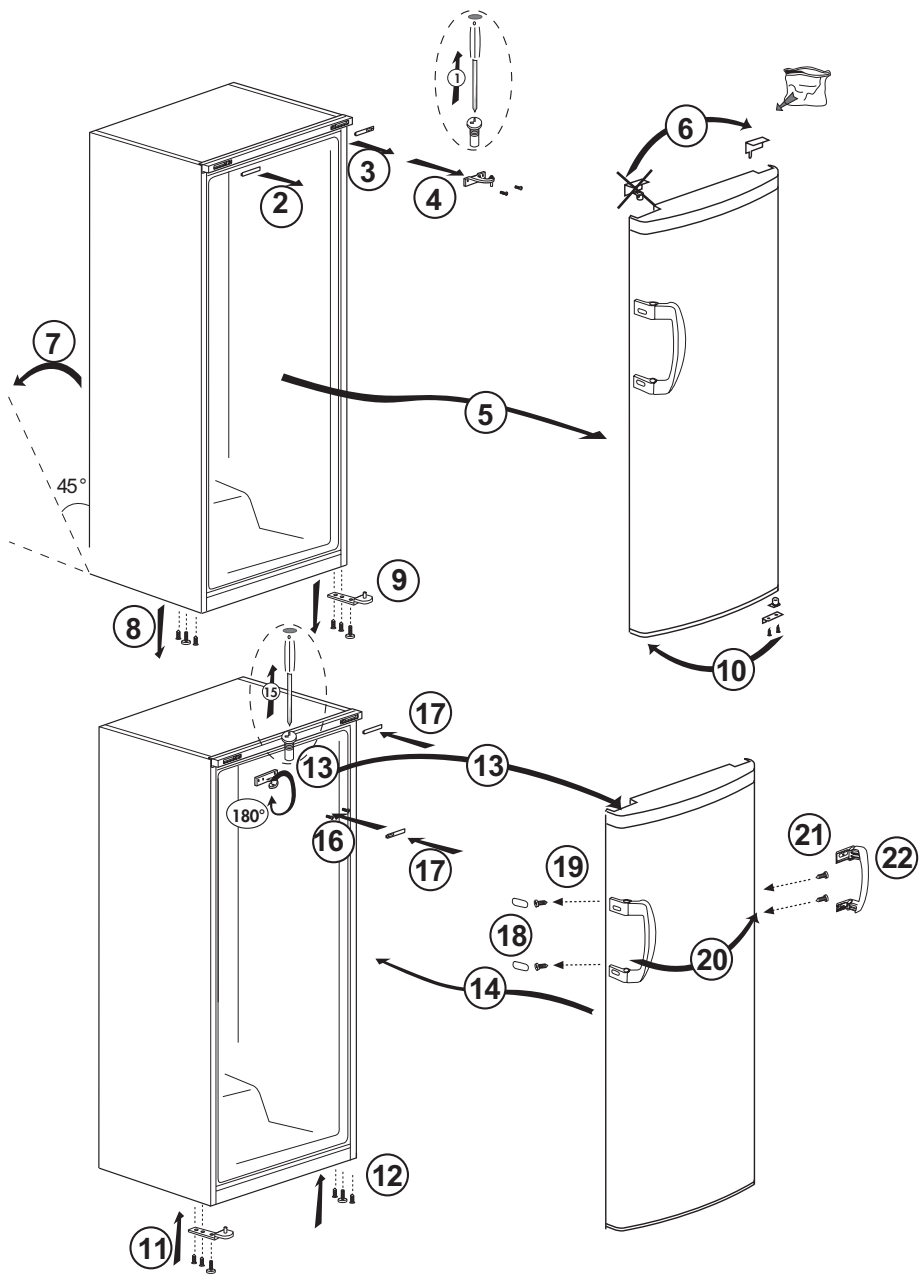
Si su frigorífico no está equilibrado:

Puede equilibrar el frigorífico girando los pies delanteros tal como se muestra en la ilustración. La esquina correspondiente al pie que está manipulando descenderá al girar el pie en la dirección de la flecha negra y se elevará al girarlo en la dirección opuesta. Le será más fácil realizar esta operación si le pide a alguien que levante ligeramente el frigorífico.



Inversión de las puertas

Proceder en orden numérico.

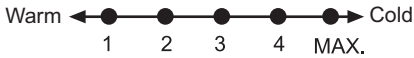


4 Preparación

- i** El frigorífico debe instalarse dejando una separación no inferior a 30 cm respecto a fuentes de calor tales como quemadores, hornos, calefacciones o estufas y no inferior a 5 cm con respecto a hornos eléctricos, evitando asimismo su exposición directa a la luz solar.
- i** La temperatura ambiente de la estancia donde instale el frigorífico no será inferior a 10 °C. A temperaturas inferiores, el frigorífico puede ver reducida su eficacia.
- i** Verifique que el interior del frigorífico esté bien limpio.
- i** En caso de que vaya a instalar dos frigoríficos uno al lado del otro, debe dejar una separación no inferior a 2 cm entre ellos.
- i** Al utilizar el frigorífico por primera vez, siga las siguientes instrucciones referentes a las primeras seis horas.
 - No abra la puerta con frecuencia.
 - No deposite alimentos en el interior.
 - No desenchufe el frigorífico. En caso de corte del suministro eléctrico ajeno a su voluntad, consulte las advertencias de la sección "Sugerencias para la solución de problemas".
- i** Guarde el embalaje original para futuros traslados.

5 Uso del frigorífico

Ajuste de la temperatura de funcionamiento



La temperatura de funcionamiento se regula mediante el mando de control de temperatura.

1 = Nivel mínimo de refrigeración
(Posición de máximo calor)

MAX. = Nivel máximo de refrigeración
(Posición de máximo frío)

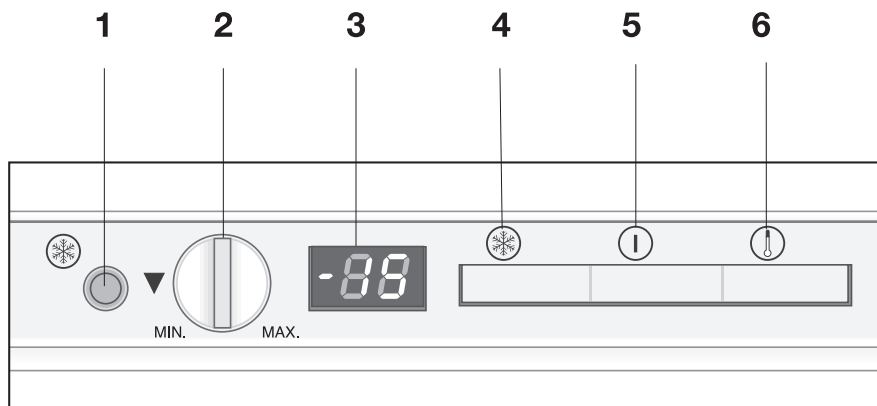
Seleccione el ajuste en función de la temperatura deseada.

La temperatura interior depende asimismo de la temperatura ambiente, la frecuencia de apertura de la puerta y la cantidad de alimentos almacenados. Una apertura frecuente de la puerta provoca una subida de la temperatura del interior.

Por este motivo, se recomienda cerrar la puerta lo antes posible después de cada uso.

La temperatura normal de almacenamiento del electrodoméstico debe ser de $-18\text{ }^{\circ}\text{C}$ ($0\text{ }^{\circ}\text{F}$). Es posible alcanzar temperaturas más bajas desplazando el mando del termostato hacia la posición MAX.

Se recomienda comprobar la temperatura con un termómetro para asegurarse de que los compartimentos para alimentos se encuentra a la temperatura deseada. Es necesario tomar la lectura inmediatamente, puesto que la temperatura del termómetro subirá muy rápidamente después de que se saque del congelador.



Indicadores LED y panel de control

Los indicadores LED situados en la parte frontal de su frigorífico le ayudan a supervisar el funcionamiento del aparato.

Estos LED y controles le ayudan a conservar los alimentos en el frigorífico con total seguridad de la siguiente forma:

Botón de congelación rápida (1):

Se utiliza para congelar alimentos con rapidez. Es posible que el compresor no entre en funcionamiento inmediatamente después de pulsar el botón, cosa que es totalmente normal.

Botón de ajuste del termostato (2): Se usa para establecer la temperatura del frigorífico en un valor situado entre el valor mínimo y el máximo.

Indicador de temperatura (3): Muestra la temperatura interna del frigorífico.

LED naranja (4): Se enciende al pulsar el botón de congelación rápida ubicado en el panel de LED. En tal caso, el frigorífico funcionará de manera ininterrumpida.

Pulse de nuevo el botón cuando los alimentos que desee congelar rápidamente alcancen la temperatura deseada; el LED naranja se apagará.

LED verde (5): Se queda iluminado sin parpadear al enchufar el frigorífico.

LED rojo (6): Cuando está encendido de forma permanente advierte al usuario de que el frigorífico no está lo bastante frío porque la puerta se ha quedado abierta durante un periodo prolongado o porque se ha depositado una cantidad excesiva de alimentos. Si el LED rojo permanece encendido sin que se aprecien ninguna de las condiciones mencionadas, póngase en contacto con el servicio técnico autorizado.

Congelación

Congelación de alimentos

El compartimento de congelación aparece marcado con este símbolo. El electrodoméstico puede utilizarse para congelar alimentos frescos así como para almacenar preparados precongelados. Por favor, consulte las recomendaciones que figuran en el envase de los alimentos.

Advertencia

No congele bebidas gaseosas, ya que las botellas pueden estallar cuando el líquido en su interior se congele.

Tenga cuidado con productos congelados tales como cubitos de hielo de colores.

No rebase la cantidad de alimentos que es capaz de congelar el frigorífico en 24 horas. Consulte la placa de datos.

Para mantener la calidad de los alimentos, la congelación de los mismos debe realizarse lo más rápidamente posible.

De esa manera, no se excederá la capacidad de congelación y no aumentará la temperatura en el interior del congelador.

Advertencia

Mantenga los alimentos ya congelados separados de los colocados recientemente.

Cuando introduzca alimentos calientes en el congelador, el compresor de refrigeración se mantendrá en

funcionamiento hasta que estén completamente congelados, cosa que puede temporalmente provocar un enfriamiento excesivo del compartimento de refrigeración.

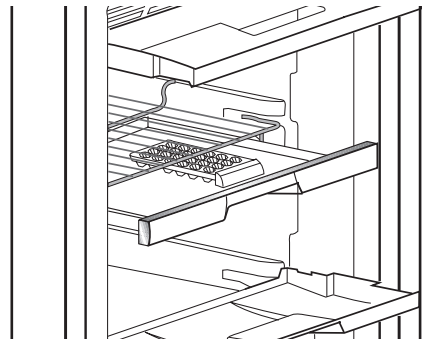
Puede resultar difícil abrir la puerta del congelador justo después de haberla cerrado. No se preocupe. Ello es debido a la diferencia de presión, que se igualará y permitirá la normal apertura de la puerta en pocos minutos.

Oirá un sonido de aspiración nada más cerrar la puerta. Esto es perfectamente normal.

Cubitos de hielo

Rellene la cubitera hasta 3/4 de su capacidad y colóquela en el congelador.

Una vez el agua se haya transformado en hielo, puede sacar los cubitos. Nunca utilice objetos con punta o bordes afilados, como cuchillos o tenedores, para retirar los cubitos. ¡Existe riesgo de lesiones!



En vez de ello, deje que los cubitos se derritan ligeramente, o introduzca el fondo de la bandeja en agua caliente durante unos instantes.

Congelación rápida

Si va a congelar grandes cantidades de alimentos frescos, ponga el mando de control en la posición máxima 24 horas antes de depositar los alimentos en el compartimento de congelación rápida.

Se recomienda encarecidamente mantener el mando en la posición MAX durante por lo menos 24 horas para congelar la cantidad máxima de alimentos correspondiente a la capacidad de congelación. Ponga especial cuidado en no mezclar alimentos frescos y alimentos ya congelados.

Al activar la función de congelación rápida, la temperatura de -27 °C parpadeará durante 5 segundos en la pantalla (6). La congelación rápida se utiliza para congelar alimentos frescos (consultar la sección “Congelación de alimentos frescos”).

Deshielo del aparato

El aparato dispone de deshielo automático.

6 Mantenimiento y limpieza

- ⚠ No utilice nunca gasolina, benceno o sustancias similares para la limpieza.
- ⚠ Le recomendamos desenchufar el aparato antes de proceder a su limpieza.
- ℹ No utilice nunca para la limpieza instrumentos afilados o sustancias abrasivas, jabones, limpiadores domésticos, detergentes ni ceras abrillantadoras.
- ℹ Limpie el armario del frigorífico con agua tibia y séquelo con un paño.
- ℹ Para limpiar el interior, utilice un paño humedecido en un vaso grande de agua con una cucharadita de bicarbonato sódico disuelta y séquelo con un trapo.
- ⚠ Asegúrese de que no penetre agua en el alojamiento de la lámpara ni en otros elementos eléctricos.
- ⚠ Si no va a utilizar el frigorífico durante un periodo prolongado, desenchúfelo, retire todos los alimentos, límpielo y deje la puerta entreabierta.
- ℹ Compruebe regularmente los cierres herméticos de la puerta para asegurarse de que estén limpios y sin restos de alimentos.
- ℹ Para extraer las bandejas de la puerta, retire todo su contenido y, a continuación, simplemente empuje la bandeja hacia arriba desde su base.

Protección de las superficies de plástico

- ℹ No deposite aceites líquidos o alimentos aceitosos en recipientes no cerrados ya que dañarán las superficies de plástico de su frigorífico. En caso de derrame de aceite sobre las superficies de plástico, limpie y enjuague con agua caliente la parte afectada de inmediato.

7 Sugerencias para la solución de problemas

Le rogamos compruebe la siguiente lista antes de llamar al servicio técnico. Puede ahorrarle tiempo y dinero. Esta lista incluye problemas frecuentes no achacables a defectos en materiales o manufactura. Es posible que algunas de las características mencionadas no estén presentes en su producto.

El refrigerador no funciona
<ul style="list-style-type: none">• ¿Está el frigorífico convenientemente enchufado? Inserte el enchufe en la toma de corriente.• ¿Están fundidos el fusible principal o el fusible del enchufe al cual ha conectado el frigorífico? Revise los fusibles.
Condensación en la pared lateral del compartimento refrigerador. (MULTI ZONE, COOL CONTROL y FLEXI ZONE)
<ul style="list-style-type: none">• Condiciones ambientales muy frías. Frecuente apertura y cierre de la puerta. Nivel alto de humedad ambiental. Almacenamiento de alimentos que contienen líquidos en recipientes abiertos. Dejar la puerta entreabierta.• Ponga el termostato a una temperatura más baja.• Deje la puerta abierta durante menos tiempo o ábrala con menos frecuencia.• Cubra los alimentos almacenados en recipientes abiertos con un material adecuado.• Enjague el agua condensada con un paño seco y compruebe si la condensación persiste.
El compresor no funciona
<ul style="list-style-type: none">• El dispositivo térmico protector del compresor saltará en caso de un corte súbito de energía o de idas y venidas de la corriente, ya que la presión del refrigerante en el sistema de enfriamiento aún no se ha estabilizado.• Su frigorífico se pondrá en marcha transcurridos unos 6 minutos. Llame al servicio técnico si su frigorífico no se pone en marcha transcurrido ese periodo.• El frigorífico se encuentra en el ciclo de descongelación. Esto es normal en un frigorífico con descongelación automática. El ciclo de descongelación se produce de forma periódica.• El frigorífico no está enchufado. Compruebe que el enchufe esté firmemente insertado en la toma de corriente.• ¿Está la temperatura correctamente fijada? Hay un corte del fluido eléctrico. Llame a su electricista.

El frigorífico está en funcionamiento con frecuencia o durante periodos prolongados.

- Puede que su nuevo frigorífico sea más grande que el que tenía anteriormente. Esto es perfectamente normal. Los frigoríficos de mayor tamaño funcionan durante más tiempo.
- Es posible que la temperatura ambiente de la estancia sea más alta. Esto es perfectamente normal.
- Es posible que haya enchufado el frigorífico o bien lo haya cargado de alimentos recientemente. Puede que el frigorífico tarde unas dos horas en enfriarse por completo.
- Es posible que recientemente haya depositado grandes cantidades de alimentos en el frigorífico. Los alimentos calientes pueden ocasionar que el frigorífico trabaje durante más tiempo hasta alcanzar la temperatura de almacenamiento seguro.
- Es posible que las puertas se hayan abierto con frecuencia o que se hayan dejado entreabiertas por un tiempo prolongado. El aire caliente que ha penetrado en el frigorífico hace que éste funcione durante más tiempo. Abra las puertas con menos frecuencia.
- Es posible que la puerta del compartimento frigorífico o congelador se haya dejado entreabierta. Compruebe que las puertas estén bien cerradas.
- El frigorífico está ajustado a una temperatura muy baja. Ajuste la temperatura del frigorífico a un valor más alto y espere a que se alcance dicha temperatura.
- La junta de la puerta del compartimento frigorífico o congelador puede estar sucia, desgastada, rota o no asentada correctamente. Limpie o sustituya la junta. Una junta rota o dañada hace que el frigorífico funcione durante más tiempo con el fin de mantener la temperatura actual.

La temperatura del congelador es muy baja, mientras que la del frigorífico es correcta.

- La temperatura del congelador está ajustada a un valor muy bajo. Ajuste la temperatura del congelador a un valor más elevado y compruebe.

La temperatura del frigorífico es muy baja, mientras que la del congelador es correcta.

- La temperatura del compartimento frigorífico está ajustada a un valor muy bajo. Ajuste la temperatura del frigorífico a un valor más elevado y compruebe.

Los alimentos depositados en los cajones del compartimento frigorífico se están congelando.

- La temperatura del compartimento frigorífico está ajustada a un valor muy bajo. Ajuste la temperatura del frigorífico a un valor más elevado y compruebe.

La temperatura del congelador o el frigorífico es muy alta.

- La temperatura del frigorífico está ajustada a un valor muy alto. El ajuste de la temperatura del frigorífico afecta a la temperatura del congelador. Cambie la temperatura del frigorífico o del congelador hasta que alcance un nivel suficiente.
- Es posible que la puerta se haya quedado entreabierta. Cierre la puerta del todo.
- Es posible que recientemente haya depositado grandes cantidades de alimentos en el frigorífico. Espere hasta que el frigorífico o el congelador alcance la temperatura deseada.
- Es posible que el frigorífico haya sido enchufado recientemente. El enfriamiento completo del frigorífico lleva un tiempo debido a su tamaño.

Puede escucharse un sonido parecido al tic tac de un reloj saliendo del frigorífico.

- Este ruido procede de la electroválvula del frigorífico. La electroválvula garantiza el flujo de líquido refrigerante a través del compartimento, que puede ajustarse a temperaturas de enfriamiento o congelación así como llevar a cabo funciones de refrigeración. Esto es perfectamente normal y no es ninguna anomalía.

El nivel de ruidos propios del funcionamiento se incrementa cuando el frigorífico está en marcha.

- Las características de rendimiento del frigorífico pueden cambiar en función de las variaciones en la temperatura ambiente. Esto es perfectamente normal, no es ninguna avería.

Vibraciones o ruidos.

- El suelo no está nivelado ni es firme. El frigorífico oscila al moverlo lentamente. Compruebe que el suelo sea nivelado, firme y capaz de soportar el peso del frigorífico.
- El ruido puede deberse a los elementos guardados en el frigorífico. Tales objetos deben retirarse de la parte superior del frigorífico.

Pueden oírse ruidos como si un líquido se derramara o se pulverizara.

- Los líquidos y gases fluyen en función de los principios de funcionamiento del frigorífico. Esto es perfectamente normal, no es ninguna avería.

Puede oírse un ruido parecido al viento.

- Se utilizan ventiladores con el fin de hacer que el frigorífico se enfríe con eficiencia. Esto es perfectamente normal, no es ninguna avería.

Condensación en las paredes interiores del frigorífico.

- El tiempo cálido y húmedo favorece la formación de hielo y la condensación. Esto es perfectamente normal, no es ninguna avería.
- Las puertas están entreabiertas. Asegúrese de que las puertas estén completamente cerradas.
- Es posible que las puertas se hayan estado abriendo con frecuencia o que se hayan dejado abiertas durante un periodo prolongado. Abra las puertas con menos frecuencia.

Hay humedad en el exterior del frigorífico o entre las puertas.

- Puede que haya humedad ambiental. Esto es perfectamente normal en climas húmedos. Cuando el grado de humedad descienda, la condensación desaparecerá.

Mal olor en el interior del frigorífico.

- El interior del frigorífico debe limpiarse. Limpie el interior del frigorífico con una esponja empapada en agua caliente o agua con gas.
- Es posible que el olor provenga de algún recipiente o envoltorio. Utilice otro recipiente o materiales para envolver de una marca diferente.

La puerta (o puertas) no se cierra.

- Puede que los paquetes de alimentos depositados no dejen que las puertas se cierren. Recolecte los paquetes que estén obstruyendo la puerta.
- Es probable que el frigorífico no esté en posición completamente vertical sobre el suelo y que oscile si se lo mueve ligeramente. Ajuste los tornillos de elevación.
- El suelo no está nivelado o no es firme. Compruebe que el suelo esté nivelado y que sea capaz de soportar el peso del frigorífico.

Los cajones están atascados.

- Es posible que algún alimento toque el techo del cajón. Cambie la distribución de los alimentos en el cajón.

57 0270 0000/AA

EN-PT-ES