

SAIVOD



2PT1457

EN

Instruction for use

ES

Instrucciones de uso

PT

Instruções de utilização



WARNING!

In order to ensure a normal operation of your refrigerating appliance, which uses a completely environmentally friendly refrigerant the R600a (flammable only under certain conditions) you must observe the following rules:

- ◆ Do not hinder the free circulation of the air around the appliance.
- ◆ Do not use mechanical devices in order to accelerate the defrosting, others than the ones recommended by the manufacturer.
- ◆ Do not destroy the refrigerating circuit.
- ◆ Do not use electric appliances inside the food keeping compartment, other than those that might have been recommended by the manufacturer.

ADVERTENCIA

Con el fin de garantizar un funcionamiento normal de su frigorífico, que utiliza un refrigerante totalmente respetuoso con el medio ambiente, el R600a (inflamable sólo en ciertas condiciones), se deben observar las pautas siguientes:

- ◆ No impedir la libre circulación del aire alrededor del electrodoméstico.
- ◆ Para acelerar el deshielo no se deben utilizar dispositivos mecánicos que no sean aquellos recomendados por el fabricante.
- ◆ No destruir el circuito de refrigeración.
- ◆ No utilizar aparatos eléctricos dentro del compartimento de aviso de alimentos que no sean los que pudiera haber recomendado el fabricante.

AVISO!

Afim de assegurar um funcionamento normal do seu aparelho de refrigeração que utiliza um refrigerador, o R600a, completamente amigo do ambiente (inflamável apenas sob certas condições), deve observar as seguintes normas:

- ◆ Não obstrua a livre circulação do ar ao redor do aparelho.
- ◆ Não utilize dispositivos mecânicos que não os recomendados pelo fabricante para acelerar o descongelamento.
- ◆ Não destrua o circuito de refrigeração.
- ◆ Não utilize aparelhos eléctricos que não aqueles que devem ter sido recomendados pelo fabricante dentro do compartimento para guardar comida.

EN Index

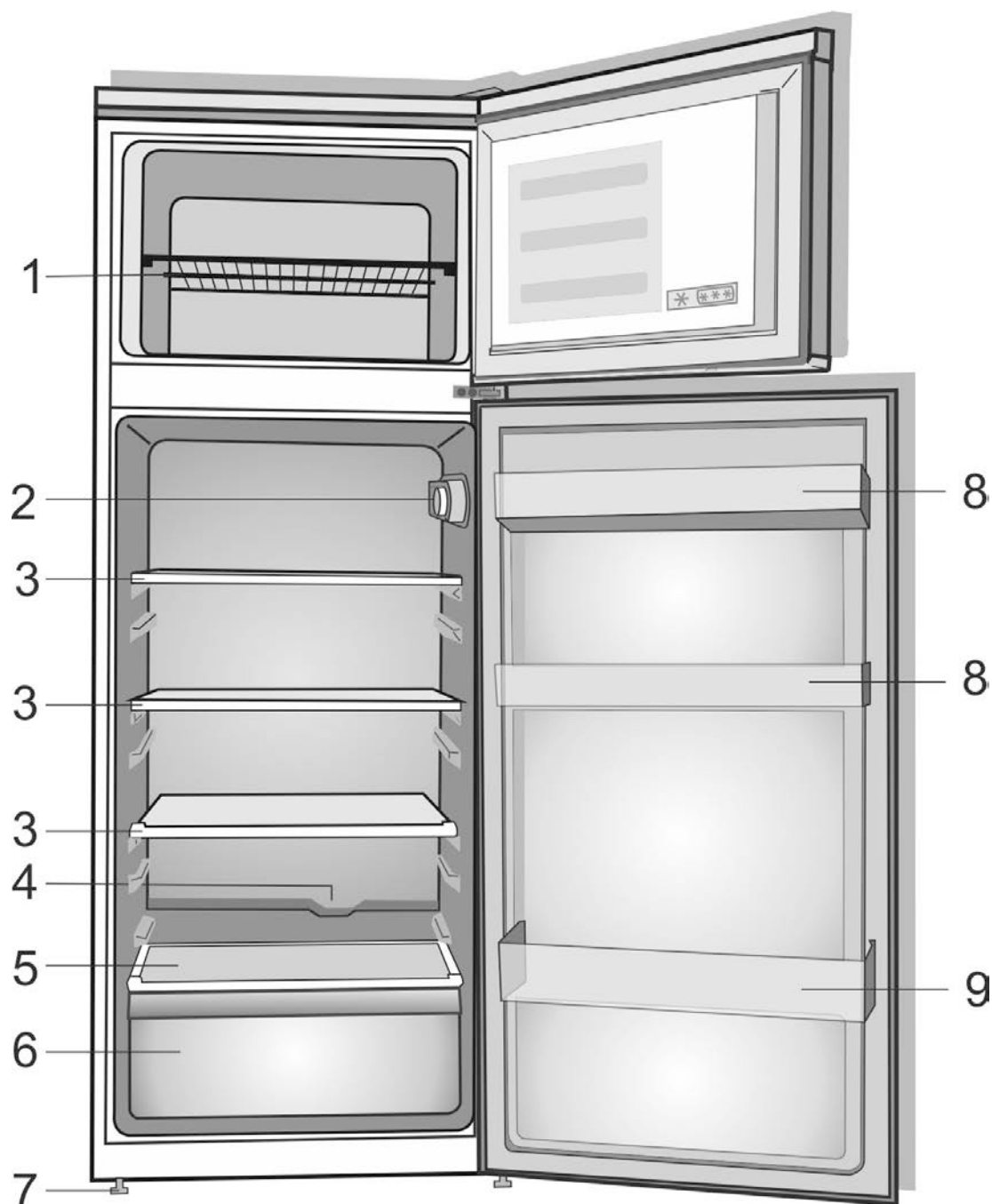
Safety first /1
Electrical requirements /2
Transportation instructions /2
Installation instructions /2
Getting to know your appliance /2
Suggested arrangement of food in the appliance /3
Temperature control and adjustment /3
Before operating /3
Storing frozen food /3
Freezing fresh food /4
Making ice cubes /4
Defrosting /4
Replacing the interior light bulb /4
Cleaning and care /4
Repositioning the door /5
Do's and don'ts /5
Troubleshooting /5

ES Índice

La seguridad es lo primero /6
Requisitos eléctricos /7
Instrucciones de transporte /7
Instrucciones de instalación /7
Detalles del frigorífico /8
Disposición recomendada de los alimentos en el frigorífico /8
Control y ajuste de la temperatura /8
Antes del funcionamiento /9
Almacenamiento de alimentos congelados /9
Congelación de alimentos frescos /9
Cubitos de hielo /9
Desescarchado /9
Sustitución de la bombilla interior /10
Conservación y limpieza /10
Reposicionamiento de la puerta /11
Prácticas correctas e incorrectas /11
Resolución de problemas /12
Advertencias sobre los ruidos de funcionamiento del aparato /12

PT Índice

Princípios básicos de segurança /13
Requisitos eléctricos /14
Instruções para transporte /14
Instruções de instalação /14
Detalhes do equipamento /15
Arrumação sugerida para os alimentos no frigorífico /15
Controlo e ajuste da temperatura /15
Antes do funcionamento /15
Armazenar alimentos congelados /16
Congelar alimentos frescos /16
Fazer cubos de gelo /16
Descongelar /16
Substituição da lâmpada interior /17
Limpeza e cuidados /17
Recolocação das portas /17
Procedimentos correctos e incorrectos /17
Resolução de problemas /18

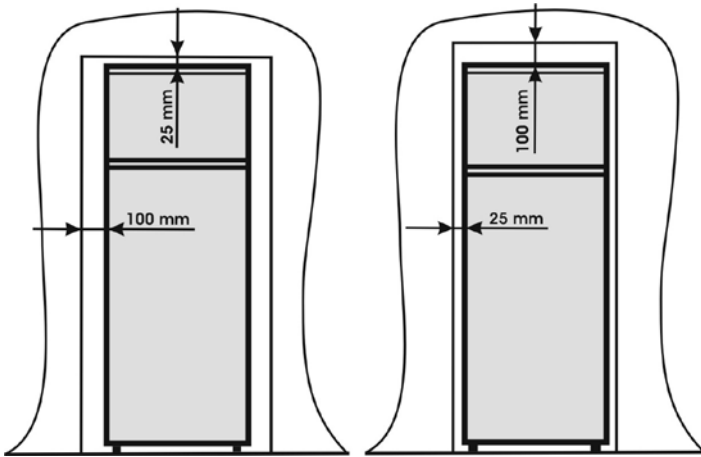


1

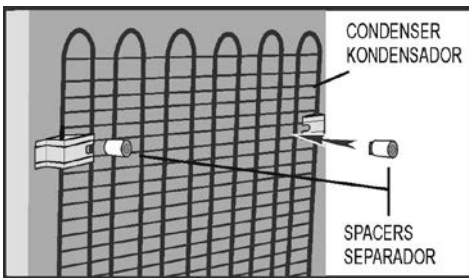
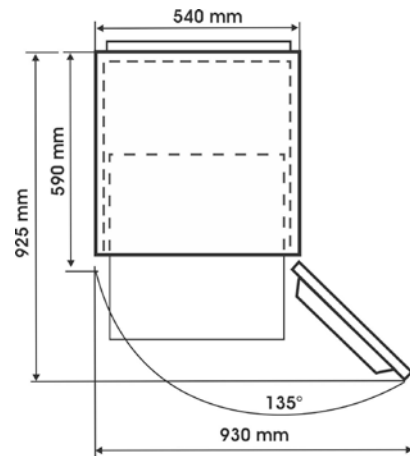
❶ Figures that take place in this instruction manual are schematic and may not correspond exactly with your product. If the subject parts are not included in the product you have purchased, then it is valid for other models.

❶ Las ilustraciones incluidas en el presente manual de instrucciones son esquemáticas y puede que no se adecúen a su aparato con exactitud. Si alguno de los elementos reflejados no se corresponde con el aparato que usted ha adquirido, entonces será válido para otros modelos.

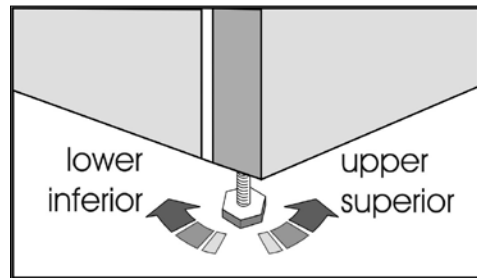
❶ As figuras que aparecem neste manual de instruções são esquemáticas e podem não corresponder exactamente ao seu produto. Se as partes referidas não estiverem incluídas no produto que adquiriu, é porque são válidas para outros modelos.



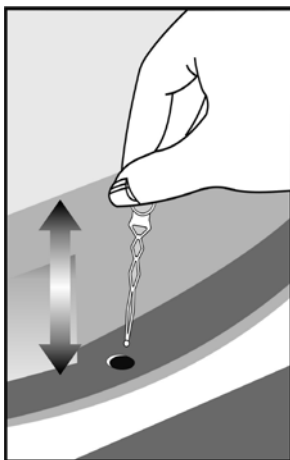
2



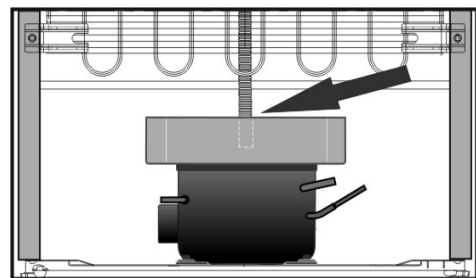
3



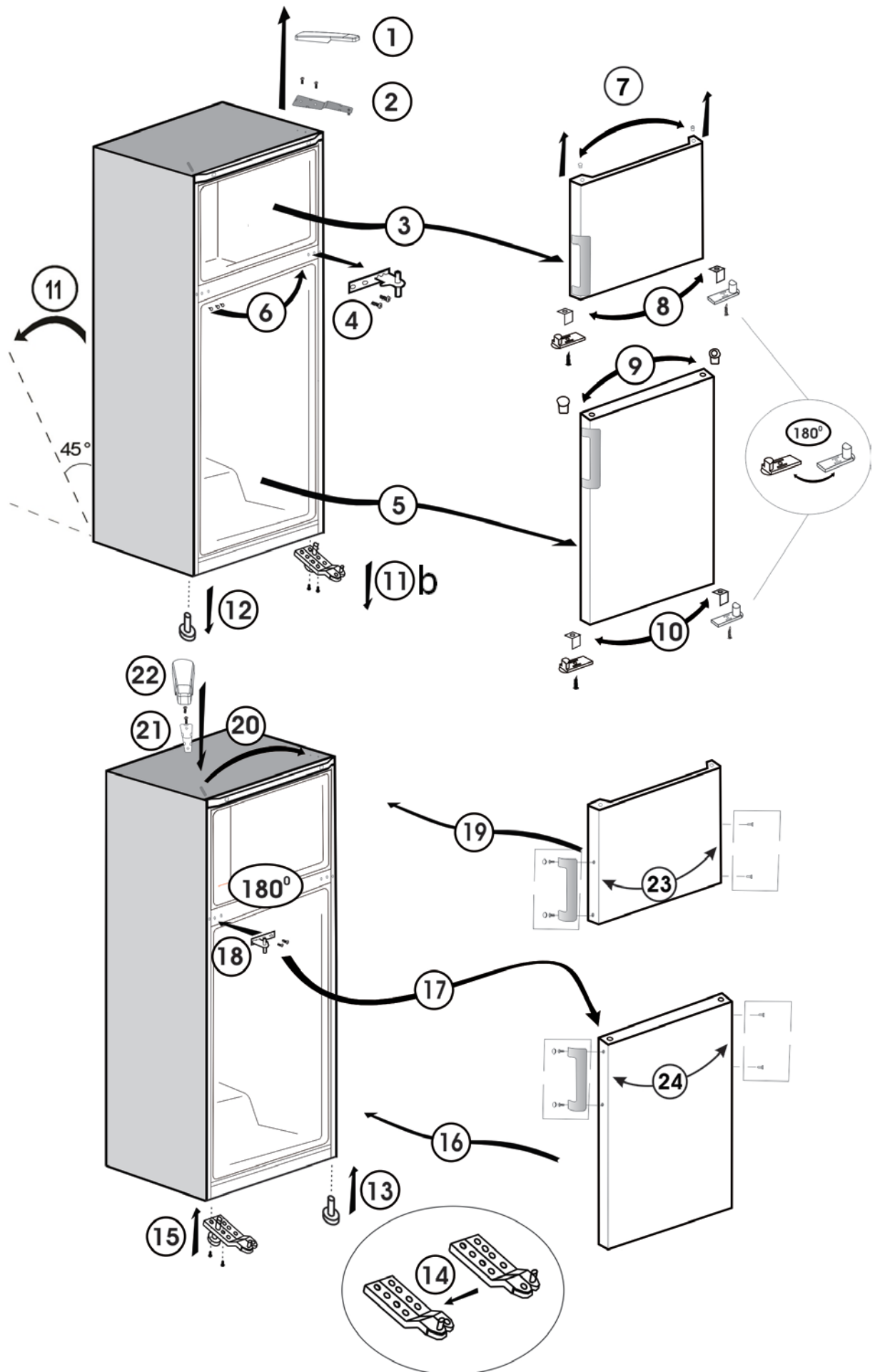
4



5



6



Congratulations on your choice of a **SAIVOD** Quality Appliance, designed to give you many years of service.

Safety first!

Do not connect your appliance to the electricity supply until all packing and transit protectors have been removed.

- Leave to stand for at least 4 hours before switching on, to allow compressor oil to settle, if transported horizontally.
- If you are discarding an old appliance with a lock or latch fitted to the door, ensure that it is left in a safe condition to prevent the entrapment of children.
- This appliance must only be used for its intended purpose.
- Do not dispose of the appliance on a fire. Your appliance contains non CFC substances in the insulation which are flammable. We suggest you contact your local authority for information on disposal and available facilities.
- We do not recommend use of this appliance in an unheated, cold room. (e.g. garage, conservatory, annex, shed, out-house etc.)

To obtain the best possible performance and trouble free operation from your appliance it is very important to read these instructions carefully. Failure to observe these instructions may invalidate your right to free service during the guarantee period.

Please keep these instructions in a safe place for easy reference.

Original Spare parts will be provided for 10 years, following the product purchasing date.

This appliance is not intended for use by person with reduced physical, sensory or mental capabilities or lack of experience and knowledge unless they have been given supervision or instruction concerning use of the appliance by a person responsible for their safety.

Children should be supervised to ensure that they do not play with the appliance.

Electrical requirements

Before inserting the plug into the wall socket make sure that the voltage and the frequency shown in the rating plate inside the appliance corresponds to your electricity supply.

We recommend that this appliance is connected to the mains supply via a suitably switched and fused socket in a readily accessible position.

Warning! This appliance must be earthed.

Repairs to electrical equipment should only be performed by a qualified technician. Incorrect repairs carried out by an unqualified person are carry risks that may have critical consequences for the user of the appliance.

ATTENTION!

This appliance operates with R600a which is an environmental friendly but flammable gas. During the transportation and fixing of the product, care must be taken not to damage the cooling system. If the cooling system is damaged and there is a gas leakage from the system, keep the product away from open flame sources and ventilate the room for a while.

WARNING - Do not use mechanical devices or other means to accelerate the defrosting process, others than those recommended by the manufacturer.

WARNING - Do not damage the refrigerant circuit.

WARNING - Do not use electrical appliances inside the food storage compartments of the appliance, unless they are of the type recommended by the manufacturer.

WARNING - If the supply cord is damaged, it must be replaced by the manufacturer, its service agent or similarly qualified persons in order to avoid a hazard.

Transportation instructions

1. The appliance should be transported only in an upright position. The packing as supplied must be intact during transportation.

2. If during the transport the appliance, has been positioned horizontally, it must not be operated for at least 4 hours, to allow the system to settle.

3. Failure to comply with the above instructions could result in damage to the appliance, for which the manufacturer will not be held liable.

4. The appliance must be protected against rain, moisture and other atmospheric influences.

Important!

- Care must be taken while cleaning/carrying the appliance not to touch the bottom of the condenser metal wires at the back of the appliance, as this could cause injury to fingers and hands.

- Do not attempt to sit or stand on top of your appliance as it is not designed for such use. You could injure yourself or damage the appliance.
- Make sure that the mains cable is not caught under the appliance during and after moving, as this could damage the cable.
- Do not allow children to play with the appliance or tamper with the controls.

Installation instructions

1. Do not keep your appliance in a room where the temperature is likely to fall below 10 degrees C (50 degrees F) at night and/or especially in winter, as it is designed to operate in ambient temperatures between +10 and +38 degrees C (50 and 100 degrees F). At lower temperatures the appliance may not operate, resulting in a reduction in the storage life of the food.

2. Do not place the appliance near cookers or radiators or in direct sunlight, as this will cause extra strain on the appliance's functions. If installed next to a source of heat or freezer, maintain the following minimum side clearances:

From Cookers 30 mm

From Radiators 300 mm

From Freezers 25 mm

3. Make sure that sufficient room is provided around the appliance to ensure free air circulation **(Item 2)**.

- Put the back airing lid to the back of your refrigerator to set the distance between the refrigerator and the wall **(Item 3)**.

4. The appliance should be positioned on a smooth surface. The two front feet can be adjusted as required. To ensure that your appliance is standing upright adjust the two front feet by turning clockwise or anti-clockwise, until firm contact is secured with the floor. Correct adjustment of feet prevents excessive vibration and noise **(Item 4)**.

5. Refer to "Cleaning and Care" section to prepare your appliance for use.

Getting to know your appliance **(Item 1)**

1 - Freezer shelf

2 - Thermostat and lamp housing

3 - Adjustable Cabinet shelves

4 - Defrost water collection channel - drain tube

5 - Crisper cover

6 - Crisper

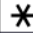

7 - Adjustable front feet

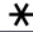

8 - Jars shelf

9 - Bottle shelf

Suggested arrangement of food in the appliance

Guidelines for obtaining optimum storage and hygiene:

1. The fridge compartment is for the short-term storage of fresh food and drinks.
2. The freezer compartment is   rated and suitable for the freezing and storage of pre-frozen food.

The recommendation for   storage as stated on the food packaging should be observed at all times.

3. Cooked dishes should be stored in airtight containers.

In order to freeze fresh food it is recommended to pack the products in aluminium or plastic sheet, cool them in the fresh food compartment and store them on the freezer compartment shelf. It is preferable that the shelf be fixed in the upper side of the freezer compartment.

4. Fresh wrapped produce can be kept on the shelf. Fresh fruit and vegetables should be cleaned and stored in the crispers.
5. Bottles can be kept in the door section.
6. To store raw meat, wrap in polythene bags and place on the lowest shelf. Do not allow to come into contact with cooked food, to avoid contamination. For safety, only store raw meat for two to three days.
7. For maximum efficiency, the removable shelves should not be covered with paper or other materials to allow free circulation of cool air.
8. Do not keep vegetable oil on door shelves. Keep the food packed, wrapped or covered. Allow hot food and beverages to cool before refrigerating. Leftover canned food should not be stored in the can.
9. Fizzy drinks should not be frozen and products such as flavoured water ices should not be consumed too cold.
10. Some fruit and vegetables suffer damage if kept at temperatures near 0°C. Therefore wrap pineapples, melons, cucumbers, tomatoes and similar produce in polythene bags.
11. High-proof alcohol must be stored upright in tightly closed containers. Never store products that contain an inflammable propellant gas (e.g. cream dispensers, spray cans, etc.) or explosive substances. These are an explosion hazard.

Temperature control and adjustment

Operating temperatures are controlled by the thermostat knob and may be set at any position between 1 and 5 (the coldest position).

If the thermostat knob is in position "0" the appliance is off. In this case neither the lamp for inside lighting will light. The average temperature inside the fridge should be around +5°C (+41°F). Therefore adjust the thermostat to obtain the desired temperature. Some sections of the fridge may be cooler or warmer (such as salad crisper and top part of the cabinet) which is quite normal. We recommend that you check the temperature periodically with a thermometer to ensure that the cabinet is kept to this temperature. Frequent door openings cause internal temperatures to rise, so it is advisable to close the door as soon as possible after use.

Before operating

Final Check

Before you start using the appliance check that:

1. The feet have been adjusted for perfect levelling.
2. The interior is dry and air can circulate freely at the rear.
3. The interior is clean as recommended under "Cleaning and care."
4. The plug has been inserted into the wall socket and the electricity is switched on. When the door is open the interior light will come on.

And note that:

5. You will hear a noise as the compressor starts up. The liquid and gases sealed within the refrigeration system may also make some (noise), whether the compressor is running or not. This is quite normal.
6. Slight undulation of the top of the cabinet is quite normal due to the manufacturing process used; it is not a defect.
7. We recommend setting the thermostat knob midway and monitor the temperature to ensure the appliance maintains desired storage temperatures (see section Temperature Control and Adjustment).
8. Do not load the appliance immediately it is switched on. Wait until the correct storage temperature has been reached. We recommend checking the temperature with an accurate thermometer (see; Temperature Control and Adjustment).

Storing frozen food

Your freezer is suitable for the long-term storage of commercially frozen foods and also can be used to freeze and store fresh food.

If there is a power failure, do not open the door. Frozen food should not be affected if the failure lasts for less than 16 hrs. If the failure is longer, then the food should be checked and either eaten immediately or cooked and then re-frozen.

Freezing fresh food

Please observe the following instructions to obtain the best results. Do not freeze too large a quantity at any one time. The quality of the food is best preserved when it is frozen right through to the core as quickly as possible. Do not exceed the freezing capacity of your appliance in 24 h.

Placing warm food into the freezer compartment causes the refrigeration machine to operate continuously until the food is frozen solid. This can temporarily lead to excessive cooling of the refrigeration compartment. When freezing fresh food, keep the thermostat knob at medium position. Small quantities of food up to 1/2 kg. (1 lb) can be frozen without adjusting the temperature control knob. Take special care not to mix already frozen food and fresh food.

Making ice cubes

Fill the ice - cube tray 3/4 full with water and place it in the freezer. Loosen frozen trays with a spoon handle or a similar implement; never use sharp-edged objects such as knives or forks.

Defrosting

A) Fridge compartment

The fridge compartment defrosts automatically. The defrost water runs to the drain tube via a collection container at the back of the appliance (**Item 5**). During defrosting, water droplets may form at the back of the fridge compartment where a concealed evaporator is located. Some droplets may remain on the liner and refreeze when defrosting is completed. Do not use pointed or sharp-edged objects such as knives or forks to remove the droplets which have refrozen.

If, at any time, the defrost water does not drain from the collection channel, check that no food particles have blocked the drain tube. The drain tube can be cleared with a pipe-cleaner or similar implement. Check that the tube is permanently placed with its end in the collecting tray on the compressor to prevent the water spilling on the electric installation or on the floor (**Item 6**).

B) Freezer compartment

Defrosting is very straightforward and without mess, thanks to a special defrost collection basin.

Defrost twice a year or when a frost layer of around 7 (1/4") mm has formed. To start the defrosting procedure, switch off the appliance at the socket outlet and pull out the mains plug. All food should be wrapped in several layers of newspaper and stored in a cool place (e.g. fridge or larder).

Containers of warm water may be placed carefully in the freezer to speed up the defrosting. Do not use pointed or sharp-edged objects, such as knives or forks to remove the frost.

Never use hairdryers, electrical heaters or other such electrical appliances for defrosting.

Sponge out the defrost water collected in the bottom of the freezer compartment. After defrosting, dry the interior thoroughly. Insert the plug into the wall socket and switch on the electricity supply.

Replacing the interior light bulb

To change the Bulb/LED used for illumination of your refrigerator, call your Authorised Service. The lamp(s) used in this appliance is not suitable for household room illumination. The intended purpose of this lamp is to assist the user to place foodstuffs in the refrigerator/freezer in a safe and comfortable way. The lamps used in this appliance have to withstand extreme physical conditions such as temperatures below -20°C.

Cleaning and care

1. We recommend that you switch off the appliance at the socket outlet and pull out the mains plug before cleaning.

2. Never use any sharp instruments or abrasive substances, soap, household cleaner, detergent or wax polish for cleaning.

3. Use luke warm water to clean the cabinet of the appliance and wipe it dry.

4. Use a damp cloth wrung out in a solution of one teaspoon of bicarbonate of soda to one pint of water to clean the interior and wipe it dry.

5. Make sure that no water enters the temperature control box.

6. If the appliance is not going to be used for a long period of time, switch it off, remove all food, clean it and leave the door ajar.

7. We recommend that you polish the metal parts of the product (i.e. door exterior, cabinet sides) with a silicone wax (car polish) to protect the high quality paint finish.

8. Any dust that gathers on the condenser, which is located at the back of the appliance, should be removed once a year with a vacuum cleaner.

9. Check door seals regularly to ensure they are clean and free from food particles.

10. Never:

- Clean the appliance with unsuitable material; e.g. petroleum based products.
- Subject it to high temperatures in any way,
- Scour, rub etc., with abrasive material.

11. Make sure that the special plastic container at the back of the appliance which collects defrost water is clean at all times. If you want to remove the tray to clean it, follow the instructions below:

- Switch off at the socket outlet and pull out the mains plug.
- Gently uncrimp the stud on the compressor, using a pair of pliers, so that the tray can be removed.

- Lift it up.
 - Clean and wipe it dry.
 - Reassemble, reversing the sequence and operations.
12. Large accumulation of ice will impair the performance of the freezer.

Repositioning the door

Proceed in numerical order (Item 7).

Do's and don'ts

- Do-** Clean and defrost your appliance regularly (see "Defrosting").
- Do-** Keep raw meat and poultry below cooked food and dairy products.
- Do-** Take off any unusable leaves on vegetables and wipe off any soil.
- Do-** Leave lettuce, cabbage, parsley and cauliflower on the stem.
- Do-** Wrap cheese firstly in greaseproof paper and then in a polythene bag, excluding as much air as possible. For best results, take out of the fridge compartment an hour before eating.
- Do-** Wrap raw meat and poultry loosely in polythene or aluminium foil. This prevents drying.
- Do-** Wrap fish and offal in polythene bags.
- Do-** Wrap food with a strong odour or which may dry out, in polythene bags, or aluminium foil or place in airtight container.
- Do-** Wrap bread well to keep it fresh.
- Do-** Chill white wines, beer, lager and mineral water before serving.
- Do-** Check contents of the freezer every so often.
- Do-** Keep food for as short a time as possible and adhere to "Best Before" and "Use by" etc. dates.
- Do-** Store commercially frozen food in accordance with the instructions given on the packets.
- Do-** Always choose high quality fresh food and be sure it is thoroughly clean before you freeze it.
- Do-** Prepare fresh food for freezing in small portions to ensure rapid freezing.
- Do-** Wrap all food in aluminium foil or freezer quality polythene bags and make sure any air is excluded.
- Do-** Wrap frozen food immediately after purchasing and put it in to the freezer as soon as possible.
- Do-** Defrost food in the fridge compartment.
- Don't-** Store bananas in your fridge compartment.
- Don't-** Store melon in your fridge. It can be chilled for short periods as long as it is wrapped to prevent it flavouring other food.
- Don't-** Cover the shelves with any protective materials which may obstruct air circulation.
- Don't-** Store poisonous or any dangerous substances in your appliance. It has been designed for the storage of edible foodstuffs only.
- Don't-** Consume food which has been refrigerated for an excessive length of time.
- Don't-** Store cooked and fresh food together in the same container. They should be packaged and stored separately.
- Don't-** Let defrosting food or food juices drip onto food.
- Don't-** Leave the door open for long periods, as this will make the appliance more costly to run and cause excessive ice formation.
- Don't-** Use sharp edged objects such as knives or forks to remove the ice.
- Don't-** Put hot food into the appliance. Let it cool down first.
- Don't-** Put liquid-filled bottles or sealed cans containing carbonated liquids into the freezer, as they may burst.
- Don't-** Exceed the maximum freezing loads when freezing fresh food.
- Don't-** Give children ice-cream and water ices direct from the freezer. The low temperature may cause 'freezer burns' on lips.
- Don't-** Freeze fizzy drinks.
- Don't-** Try to keep frozen food which has thawed; it should be eaten within 24 hours or cooked and refrozen.
- Don't-** Remove items from the freezer with wet hands.

Troubleshooting


If the appliance does not operate when switched on, check;

- That the plug is inserted properly in the socket and that the power supply is on. (To check the power supply to the socket, plug in another appliance).
- Whether the fuse has blown/circuit breaker has tripped/main distribution switch has been turned off.
- That the temperature control has been set correctly.
- That the new plug is wired correctly, if you have changed the fitted, moulded plug.

If the appliance is still not operating at all after above checks, contact the dealer from whom you purchased the unit.

Please ensure that above checks have been done, as a charge will be made if no fault is found.



The symbol  on the product or on packaging indicates that this product may not be treated as household waste. Instead it shall be handed over to the applicable collection point for the recycling of electrical and electronic equipment. By ensuring this product is disposed of correctly, you will help prevent potential negative consequences for the environment and human health, which could otherwise be caused by inappropriate waste handling of this product. For more detailed information about recycling of this product, please contact your local city office, your household waste disposal service or the shop where you purchased the product.

Enhorabuena por haber elegido un electrodoméstico de alta calidad de **SAIVOD**, diseñado para prestar servicio durante muchos años.

La seguridad es lo primero

No conectar el frigorífico a la toma de corriente hasta que no se hayan retirado todos los protectores de embalaje y transporte.

- Si se transportó horizontalmente, dejar el frigorífico en posición normal al menos 4 horas antes de conectarlo, para que el aceite del compresor se asiente.
- Al deshacerse de un frigorífico antiguo con cerradura o pestillo en la puerta, comprobar que queda en una posición segura que impida que los niños puedan quedar atrapados.
- Este frigorífico sólo se debe utilizar para las funciones para las que se ha diseñado.
- No arrojar el frigorífico al fuego. Su aislamiento contiene sustancias inflamables sin CFC. Es recomendable ponerse en contacto con las autoridades locales para obtener información sobre residuos y centros de reciclaje.
- No se recomienda utilizar este frigorífico en lugares fríos sin calefacción. (Por ejemplo, garajes, invernaderos, cobertizos, cabañas, etc.)

Para conseguir un funcionamiento sin averías y el mejor rendimiento posible del frigorífico, es muy importante leer cuidadosamente estas instrucciones. El incumplimiento de estas instrucciones puede invalidar el derecho a obtener asistencia gratuita durante el periodo de garantía.

Conservar estas instrucciones en lugar seguro y donde puedan consultarse fácilmente.

Se proporcionarán piezas de recambio originales durante 10 años, después de la fecha de compra del producto.

Este aparato no ha sido diseñado para ser usado por personas con discapacidades físicas, sensoriales o mentales; tampoco para personas sin experiencia o conocimiento del aparato, a no ser que estén supervisadas o instruidas por alguien responsable de su seguridad.

Los niños deben de estar controlados para que no jueguen con el aparato.

Requisitos eléctricos

Antes de conectar el enchufe a la toma de corriente, se debe comprobar que el voltaje y la frecuencia mostradas en la placa de características del interior del frigorífico se corresponden con los de la alimentación eléctrica.

Se recomienda conectar este frigorífico a la red de suministro eléctrico mediante una toma de corriente adecuada, con fusible e interruptor y en una posición de fácil acceso.

Advertencia. Este frigorífico debe disponer de toma de tierra.

Las reparaciones del equipo eléctrico sólo deben ser realizadas por técnicos cualificados. Las reparaciones incorrectas realizadas por personal no cualificado comportan riesgos que pueden acarrear graves consecuencias al usuario del frigorífico.

¡ATENCIÓN!

Este electrodoméstico funciona con R600a, un gas respetuoso con el medio ambiente pero inflamable. Durante el transporte y la fijación del electrodoméstico, es necesario tener cuidado para no dañar el sistema de refrigeración. Si el sistema de refrigeración sufre algún daño y se produce una fuga de gases del sistema, mantenga el producto alejado de fuentes de ignición y ventile el recinto durante el tiempo adecuado.

ADVERTENCIA: Utilizar sólo los dispositivos mecánicos o los medios recomendados por el fabricante para acelerar el proceso de desescarchado.

ADVERTENCIA: Evitar daños en el circuito de refrigeración.

ADVERTENCIA: No utilizar aparatos eléctricos dentro de los compartimentos para alimentos del frigorífico, a menos que sean del tipo recomendado por el fabricante.

ADVERTENCIA: Si el cable de alimentación estuviera dañado, el fabricante, el servicio de atención al cliente o una persona cualificada deberán sustituirlo para evitar peligros.

Instrucciones de transporte

1. El frigorífico sólo se debe transportar en posición vertical. El embalaje debe quedar intacto tras el transporte.

2. Si el frigorífico ha estado colocado horizontalmente durante el transporte, no ponerlo en funcionamiento hasta después de pasadas al menos 4 horas, para permitir que el sistema se asiente.

3. El incumplimiento de estas instrucciones puede provocar daños en el frigorífico y el fabricante no se considerará responsable de los mismos.

4. El frigorífico debe estar protegido de la lluvia, la humedad y demás agentes atmosféricos.

¡Importante!

- Se debe poner especial cuidado al limpiar o desplazar el frigorífico, para no tocar el extremo inferior de las láminas metálicas del condensador, que se encuentran en la parte trasera del aparato, ya que pueden provocar heridas en dedos y manos.
- No ponerse de pie ni sentarse en la parte superior del frigorífico, ya que no está diseñado para tal fin. Podría sufrir lesiones o causar daños al electrodoméstico.
- Comprobar que el frigorífico no queda apoyado sobre el cable principal durante ni después del desplazamiento, ya que puede dañar el cable.
- No permitir a los niños jugar con el frigorífico ni jugar con sus mandos.

Instrucciones de instalación

1. No instalar el frigorífico en habitaciones donde la temperatura pueda descender por debajo de los 10 grados centígrados por la noche o especialmente en invierno, ya que se ha diseñado para funcionar en ambientes con temperaturas entre 10 y 38 grados centígrados. A temperaturas inferiores, es posible que el frigorífico no funcione, reduciéndose el periodo de almacenamiento de los alimentos.

2. No colocar el frigorífico cerca de cocinas o radiadores ni bajo la luz solar directa, ya que el hacerlo puede provocar una mayor carga para las funciones del frigorífico. Si se instala cerca de una fuente de calor o de un congelador, mantener las distancias laterales mínimas siguientes:

Con respecto a cocinas, 30 mm.

Con respecto a radiadores, 300 mm.

Con respecto a congeladores, 25 mm.

3. Comprobar que hay espacio suficiente en torno al frigorífico para garantizar la circulación de aire (**figura 2**).

- Poner la tapa de ventilación posterior en la parte trasera del frigorífico para comprobar la distancia entre el frigorífico y la pared (**figura 3**).

4. El frigorífico sólo se debe colocar sobre superficies lisas. Los dos pies delanteros se pueden ajustar si es necesario. Para garantizar la verticalidad del frigorífico, ajustar los dos pies delanteros girándolos a derecha o izquierda hasta que el contacto con el suelo sea firme y seguro. El ajuste correcto de los pies evita vibraciones o ruidos excesivos (figura 4).

5. Consultar la sección "Conservación y limpieza" para preparar el frigorífico para su utilización.


Detalles del frigorífico (figura 1)


- 1 - Reja congelador
- 2 - Alojamiento de termostato y bombilla
- 3 - Estantes interiores ajustables
- 4 - Canal de recogida - tubo de desagüe
- 5 - Tapa del cajón de frutas y verduras
- 6 - Cajón de frutas y verduras
- 7 - Pie ajustable
- 8 - Estante para botes
- 9 - Estante para botellas

Disposición recomendada de los alimentos en el frigorífico

Normas para conseguir el almacenamiento e higiene óptimos:

1. El compartimento del frigorífico es para almacenamiento breve de alimentos frescos y bebidas.

2. El compartimento del congelador está clasificado como  y es apto para congelar y almacenar alimentos precongelados.

Se deben seguir las recomendaciones para el almacenamiento  que figuran en el envase de alimentos en todo momento.

3. Los platos cocinados deben almacenarse en recipientes herméticos.

Para congelar alimentos frescos, se recomienda envolverlos en papel de aluminio o en plástico, dejarlos enfriar en el compartimento de alimentos frescos y finalmente depositarlos en la bandeja del compartimento congelador.

Es preferible colocar el estante en la parte superior del compartimento congelador.

4. Los productos frescos envueltos deben conservarse en el estante. Las frutas y verduras frescas deben estar limpias y almacenarse en los cajones correspondientes.

5. Las botellas se pueden conservar en la sección de la puerta.

6. Para almacenar carne cruda, envolverla en bolsas de polietileno y colocarla en el estante inferior. No permitir que la carne cruda entre en contacto con los alimentos cocinados, para evitar contaminaciones. Por seguridad, almacenar carne cruda sólo durante dos o tres días.

7. Para conseguir la máxima eficiencia, no cubrir los estantes desmontables con papel ni otros materiales que impedirían la circulación libre del aire.

8. No conservar aceite vegetal en los estantes de la puerta. Conservar los alimentos empaquetados, envueltos y cubiertos. Dejar que los alimentos y las bebidas calientes se enfríen antes de congelarlos. Los restos de alimentos enlatados no se deben almacenar dentro de sus latas.

9. No congelar bebidas gaseosas. No consumir demasiado fríos productos como los helados de agua con sabores.

10. Algunas frutas y verduras se deterioran si se almacenan a temperaturas cercanas a 0°C. Por lo tanto, las piñas, los melones, los pepinos, los tomates y productos similares deben envolverse en bolsas de polietileno.

11. Las bebidas alcohólicas de alta graduación se deben almacenar en posición vertical en recipientes bien cerrados. No almacenar nunca productos que contengan gases inflamables (por ejemplo, botes de nata a presión, aerosoles, etc.) ni sustancias explosivas. Puede haber peligro de explosión.

Control y ajuste de la temperatura

El mando del termostato controla la temperatura de funcionamiento y se puede situar en cualquier posición entre 1 y 5 (la posición más fría).

Si la mano del termostato está en posición „0” el aparato está apagado. En este caso ni la bombilla para el iluminación interior no se va encender.

La temperatura media del interior del frigorífico debe estar alrededor de 5 °C.

Por lo tanto, ajustar el termostato para conseguir la temperatura deseada. Algunas zonas del frigorífico pueden estar más frías o más calientes (como el cajón de ensaladas y la parte superior del armario), lo que es perfectamente normal.

Se recomienda comprobar periódicamente la temperatura con un termómetro para comprobar que el armario se encuentre a esta temperatura. La apertura frecuente de la puerta provoca un aumento de la temperatura, por lo que se recomienda cerrar la puerta lo antes posible tras su uso.

Antes del funcionamiento

Comprobación final

Antes de empezar a utilizar el frigorífico, comprobar que:

1. Los pies se han ajustado hasta conseguir una nivelación perfecta.
2. El interior está seco y el aire circula libremente por la parte trasera.
3. El interior está limpio conforme a las recomendaciones de la sección "Conservación y limpieza".
4. Se ha introducido el enchufe en la toma de corriente y se ha activado la electricidad. Cuando se abre la puerta, la luz interior se enciende.

Y observar que:

5. Se oye un sonido cuando arranca el compresor. Los líquidos y gases del sistema de refrigeración también pueden hacer ruidos, esté o no el compresor en funcionamiento. Esto es perfectamente normal.
6. También es normal una ligera ondulación en la parte superior del armario debido al proceso de fabricación utilizado. No es un defecto.
7. Se recomienda ajustar el mando del termostato en la posición intermedia y supervisar la temperatura para asegurarse de que el frigorífico mantenga las temperaturas de almacenamiento deseadas (consultar la sección "Control y ajuste de la temperatura").
8. No cargar el frigorífico inmediatamente después de encenderlo. Esperar hasta que alcance la temperatura de conservación correcta. Se recomienda comprobar la temperatura con un termómetro de precisión (consultar la sección Control y ajuste de la temperatura).

Almacenamiento de alimentos congelados

El congelador es adecuado para almacenar alimentos precongelados durante periodos prolongados, así como para congelar y almacenar carne fresca.

Si se produce un corte de corriente, no abrir la puerta. Los alimentos congelados no se verán afectados si el corte de corriente dura menos de 16 horas. Si dura más tiempo, se debe comprobar los alimentos para consumirlos inmediatamente o cocinarlos y congelarlos de nuevo.

Congelación de alimentos frescos

Para obtener los mejores resultados, se deben tener en cuenta las instrucciones siguientes.

No congelar grandes cantidades de una vez. La calidad de los alimentos se mantiene mejor si la congelación alcanza su interior lo antes posible.

No superar la cantidad de alimentos que es capaz de congelar el frigorífico en 24 h.

Si se introducen alimentos calientes en el compartimento del congelador, se obliga a la máquina de refrigeración a funcionar de forma continua hasta congelarlos totalmente. Esto puede provocar temporalmente un enfriamiento excesivo del compartimento de refrigeración.

Al congelar alimentos frescos, mantenga el mando del termostato en la posición intermedia. Las cantidades pequeñas de hasta 1/2 kg. se pueden congelar sin necesidad de ajustar el mando de control de temperatura.

Poner especial cuidado en no mezclar alimentos ya congelados con alimentos frescos.

Cubitos de hielo

Rellenar la cubitera hasta el 3/4 de su capacidad y colocarla en el congelador. Desprender las bandejas congeladas con una cuchara o instrumento similar. No utilizar nunca objetos con punta ni bordes afilados, como cuchillos o tenedores.

Desescarchado

A) Compartimento del frigorífico

El compartimento del frigorífico se desescarcha automáticamente. El agua del desescarchado circula hasta el tubo de desagüe a través del recipiente de recogida situado en la parte trasera del frigorífico (**figura 5**). Durante el desescarchado, se pueden formar gotas de agua en la parte trasera del compartimento del frigorífico donde se encuentra empotrado el evaporador.

Algunas gotas pueden permanecer en el revestimiento interior y volver a congelarse después de finalizado el desescarchado. No utilizar nunca objetos con punta o bordes afilados, como cuchillos o tenedores, para retirar las gotas que se hayan vuelto a congelar.

Si en cualquier momento el agua del desescarchado no se desagua por el canal de recogida, comprobar que no haya restos de alimentos que obstruyan el tubo de desagüe. El tubo de desagüe se puede limpiar con limpiadores de tuberías o productos similares. Compruebe que el tubo está permanentemente situado con su extremo en la bandeja de recogida para prevenir que el agua se vierta sobre la instalación eléctrica o en el suelo (**figura 6**).

B) Compartimento del congelador

El desescarchado es muy sencillo y no presenta complicaciones gracias al especial recipiente de recogida.

Desescarchar dos veces al año o cuando se forme una capa de hielo de unos 7 mm. Para iniciar el proceso de desescarchado, desenchufar el frigorífico retirando el enchufe de la toma de corriente.

Los alimentos deben ser envueltos en varias capas de papel de periódico y situados en un lugar frío (por ejemplo, un frigorífico o despensa).

Para acelerar el desescarchado, se pueden colocar cuidadosamente recipientes con agua caliente en el congelador.

No utilizar nunca objetos con punta o bordes afilados, como cuchillos o tenedores, para retirar el hielo.

No utilizar nunca secadores de pelo, calentadores eléctricos u otros aparatos eléctricos para forzar el desescarchado.

Recoger con una esponja el agua de desescarchado almacenada en la parte inferior del compartimento del congelador.

Después de desescarchar, secar completamente el interior. Introducir el enchufe en la toma de corriente y encender el interruptor.

Sustitución de la bombilla interior

Para cambiar la bombilla utilizada para iluminar el frigorífico, póngase en contacto con el servicio técnico autorizado.

Las bombillas de este electrodoméstico no sirven para la iluminación en el hogar.

Su propósito es el de ayudar al usuario a colocar los alimentos en el frigorífico o congelador de forma cómoda y segura. Las lámparas utilizadas en este electrodoméstico deben soportar unas condiciones físicas extremas como temperaturas inferiores a -20° C.

Conservación y limpieza

1. Se recomienda desenchufar el frigorífico retirando el enchufe de la toma de corriente antes de realizar la limpieza.

2. No utilizar nunca en la limpieza instrumentos afilados o sustancias abrasivas, jabones, limpiadores domésticos, detergentes ni ceras abrillantadoras.

3. Utilizar agua tibia para limpiar el armario del frigorífico y secarlo con un paño.

4. Utilizar un paño humedecido con la solución de una cucharilla de café de bicarbonato sódico en un vaso grande de agua, para limpiar el interior. Secarlo con un trapo.

5. Asegurarse de que no entra agua en la caja de control de la temperatura.

6. Si no se va a utilizar el frigorífico durante un largo periodo, desenchufarlo, retirar toda la comida, limpiarlo y dejar la puerta entreabierta.

7. Se recomienda pulir las piezas de metal del producto (por ejemplo, la puerta exterior, los laterales del armario) con una cera de silicona (cera para coches) para proteger los acabados de alta calidad.

8. El polvo acumulado en el condensador, situado en la parte trasera del frigorífico, debe retirarse una vez al año con un aspirador.

9. Comprobar regularmente los cierres herméticos de la puerta para asegurarse de que estén limpios y sin restos de alimentos.

10. Nunca:

- Limpiar el frigorífico con material inadecuado; por ejemplo, productos derivados del petróleo.
- Exponerlo a altas temperaturas.
- Restregarlo, frotarlo, etc., con materiales abrasivos.

11. Retirada de la bandeja de la puerta:

- Para retirar la bandeja de la puerta, retirar todo su contenido y, a continuación, empujar simplemente la bandeja hacia arriba desde su base.

12. Comprobar que el recipiente especial de plástico de la parte posterior del frigorífico, que recoge el agua del desescarchado, esté limpio en todo momento. Si se desea retirar la bandeja para limpiarla, seguir las instrucciones siguientes:

- Desenchufar el frigorífico retirando el enchufe de la toma de corriente.
- Con unos alicates, ondular ligeramente el aro del compresor para poder retirar la bandeja.

- Levantarlo.
- Limpiarlo y secarlo.
- Volver a colocarlo, invirtiendo la secuencia de operaciones.

13. Las grandes acumulaciones de hielo afectan al funcionamiento del congelador.

Reposicionamiento de la puerta

Continúe en orden de número (figura 7).

Prácticas correctas e incorrectas

Correcto- Limpiar y desescarchar periódicamente el frigorífico (consultar la sección "Desescarchado").

Correcto- Conservar la carne cruda y de ave bajo los productos cocinados y los productos lácteos.

Correcto- Retirar las hojas inservibles de las verduras y limpiar toda suciedad.

Correcto- Dejar la lechuga, el repollo, el perejil y la coliflor con el tallo.

Correcto- Envolver el queso primero en papel resistente a la grasa y, a continuación, en una bolsa de polietileno, sacando todo el aire posible. Para obtener los mejores resultados, sacar los alimentos del compartimento del frigorífico una hora antes de comerlos.

Correcto- Envolver la carne cruda y de ave en polietileno o papel de aluminio sin apretar. Esto evita que se sequen.

Correcto- Envolver el pescado y los despojos en bolsas de polietileno.

Correcto- Envolver en bolsas de polietileno o en papel de aluminio los alimentos que desprendan olores fuertes o que se puedan secar, o bien introducirlos en recipientes herméticos.

Correcto- Envolver bien el pan para mantenerlo fresco.

Correcto- Enfriar los vinos blancos, las cervezas y el agua mineral antes de servirlos.

Correcto- Comprobar el contenido del congelador de vez en cuando.

Correcto- Conservar los alimentos el menor tiempo posible y cumpla sus fechas de caducidad.

Correcto- Almacenar los alimentos precongelados conforme a las instrucciones proporcionadas en los envases.

Correcto- Elegir siempre alimentos frescos de alta calidad y comprobar que estén totalmente limpios antes de congelarlos.

Correcto- Preparar los alimentos frescos para su congelación en pequeñas raciones para garantizar su rápida congelación.

Correcto- Envolver todos los alimentos en papel de aluminio o bolsas de polietileno para congelador, haciendo salir todo el aire.

Correcto- Envolver los alimentos congelados inmediatamente después de adquirirlos e introducirlos en el congelador lo antes posible.

Correcto- Descongelar los alimentos en el compartimento del frigorífico.

Incorrecto- Almacenar los plátanos en el compartimento del frigorífico.

Incorrecto- Almacenar melones en el frigorífico. Se deben enfriar por cortos periodos y envolver para evitar que den olor a otros alimentos.

Incorrecto- Cubrir los estantes con cualquier material protector que pueda obstruir la circulación de aire.

Incorrecto- Almacenar sustancias venenosas o peligrosas en el frigorífico. Ha sido diseñado sólo para el almacenamiento de alimentos comestibles.

Incorrecto- Consumir alimentos almacenados durante periodos excesivamente largos.

Incorrecto- Almacenar alimentos frescos y cocinados en un mismo recipiente. Deben envolverse y almacenarse de forma separada.

Incorrecto- Permitir que alimentos descongelados o los jugos de los alimentos goteen sobre otros alimentos.

Incorrecto- Dejar la puerta abierta durante largos periodos, lo que encarece el coste de funcionamiento del frigorífico y provoca excesiva formación de hielo.

Incorrecto- Utilizar objetos con punta o bordes afilados, como cuchillos o tenedores, para retirar el hielo.

Incorrecto- Introducir alimentos calientes en el frigorífico. Dejar primero que se enfríen.

Incorrecto- Colocar en el congelador botellas o botes herméticos completamente rellenos de líquidos gaseosos, ya que pueden reventar.

Incorrecto- Superar la carga máxima de congelación al congelar alimentos frescos.

Incorrecto- Entregar a los niños helados o cubitos de hielo directamente del congelador. La baja temperatura puede provocar quemaduras en los labios.

Incorrecto- Congelar bebidas gaseosas.

Incorrecto- Intentar congelar de nuevo alimentos que se han descongelado. Deben consumirse antes de 24 horas o cocinarse y volverse a congelar.

Incorrecto- Retirar alimentos del congelador con las manos húmedas.

Resolución de problemas

Si el frigorífico no funciona al conectarlo, comprobar:

- Si se ha introducido correctamente el enchufe en la toma de corriente y si la alimentación eléctrica está activada. (Para comprobar la alimentación eléctrica de la toma de corriente, enchufe otro electrodoméstico.)
- Si el fusible está fundido, si el automático ha saltado o si el interruptor principal está apagado.
- Si el control de temperatura está ajustado correctamente.
- Si el nuevo enchufe está correctamente cableado, en caso de que se haya cambiado el enchufe.

Si el frigorífico sigue sin funcionar después de las comprobaciones anteriores, ponerse en contacto con el proveedor que lo suministró. Asegurarse de que se realicen las comprobaciones anteriores, ya que en caso de que realmente no haya ninguna avería, el proveedor puede exigirle sus gastos.

Advertencias sobre los ruidos de funcionamiento del aparato

Con objeto de mantener constante la temperatura en el interior de su frigorífico, el compresor se conecta de tiempo en tiempo.

Esto origina unos ruidos que son perfectamente naturales y se deben a razones técnicas. Tan pronto como el aparato ha alcanzado la temperatura de servicio, la intensidad de estos ruidos disminuye sensiblemente.

Unos ruidos como de **murmillos sordos** son inevitables durante el funcionamiento del compresor. Pueden aumentar brevemente de intensidad al conectarse el motor (compresor) del aparato.

Los **ruidos en forma de gorgoteo** se producen al penetrar el líquido refrigerante en los tubos delgados una vez que ha entrado en funcionamiento el compresor.

Unos breves **ruidos en forma de clic** sólo se escuchan cuando el termostato conecta y desconecta el compresor.

Unos ruidos en forma de chasquido pueden surgir ...

- durante el ciclo de desescarchado del aparato
- al enfriarse o calentarse el aparato (dilatación del material)

En caso de alcanzarse un nivel sonoro excesivamente elevado durante el funcionamiento del frigorífico, ello tal vez tenga una fácil solución.

El aparato se encuentra en posición desnivelada

Nivelarlo con los soportes roscados que incorpora o calzándolo.

En caso de estar el aparato en contacto con muebles u otros aparatos

Separarlo de los muebles o aparatos con los que estuviera en contacto.

Los cajones, estantes y soportes oscilan o están agarrotados

Revisar los elementos afectados. En caso necesario, volverlos a colocar en su posición correcta.

Las botellas o los recipientes en el aparato entran en contacto mutuo

Separar algo las botellas y los recipientes.



Este producto incorpora el símbolo de recogida selectiva de residuos de equipos eléctricos y electrónicos.

Ello significa que este producto debe ser manipulado teniendo en cuenta la Directiva Europea 2002/96/EC, en orden de ser reciclado o recuperado para minimizar su impacto en el medio ambiente. Para más información rogamos contacte con las autoridades locales o regionales más próximas a su domicilio.

Los productos electrónicos no incluidos en el proceso de recogida selectiva son potencialmente peligrosos para el medio ambiente y la salud humana debido a la presencia de ciertas sustancias.

Parabéns por ter escolhido um Electrodoméstico de Qualidade da **S A I V O D**, concebido para lhe proporcionar muitos anos de utilização.

Princípios básicos de segurança!

Não ligue o frigorífico à corrente eléctrica enquanto não tiver retirado todas as protecções de embalagem e de transporte.

- No caso do frigorífico ter sido transportado na horizontal, deixe-o na vertical durante pelo menos, 4 horas, antes de o ligar para que o óleo do compressor estabilize.
- No caso de se estar a desfazer de um electrodoméstico antigo com uma fechadura ou tranca na porta, certifique-se de que é deixado em segurança para evitar acidentes com crianças.
- Este frigorífico só deve ser utilizado para o fim a que se destina.
- Não coloque o frigorífico no fogo. O seu frigorífico contém, no isolamento, substâncias isentas de CFC que são inflamáveis. Para obter informações sobre destruição e instalações disponíveis para o efeito, sugerimos que contacte a autoridade local.
- Não recomendamos a utilização deste frigorífico numa sala extremamente fria. (por exemplo, garagem, estufa, anexo, alpendre, exterior da casa, etc.)

Para obter o melhor desempenho e um funcionamento sem problemas do seu frigorífico, é muito importante que leia cuidadosamente estas instruções. O não seguimento destas instruções pode invalidar o direito à assistência gratuita durante o período de garantia.

Para facilitar a consulta, guarde estas instruções num local seguro.

Este aparelho não deve ser utilizado por pessoas com capacidades reduzidas quer a nível físico, psíquico ou mental ou com falta de experiência e conhecimento, excepto quando supervisionados ou se lhes foram dadas instruções relacionadas com a utilização do aparelho, por alguém responsável pela sua segurança.

As crianças devem ser supervisionadas para se assegurar que não brincam com o aparelho.

Requisitos eléctricos

Antes de inserir a ficha na tomada de parede, certifique-se de que a voltagem e a frequência apresentadas na placa de características colocada dentro do frigorífico, correspondem à corrente eléctrica que vai utilizar.

Recomendamos que este congelador seja ligado à corrente através de uma tomada com interruptor e fusível e que seja de fácil acesso.

Aviso! Este frigorífico deve ser ligado a uma tomada com terra.

As reparações no equipamento eléctrico só devem ser efectuadas por um técnico qualificado. As reparações incorrectas efectuadas por uma pessoa não qualificada acarretam riscos que podem ter consequências graves para o utilizador do frigorífico.

ATENÇÃO!

Este frigorífico funciona com R 600a, que é um gás não prejudicial para o ambiente mas inflamável. Durante o transporte e instalação do produto, devem ser tomadas as devidas precauções para não danificar o sistema de arrefecimento. Se o sistema de arrefecimento se danificar, e se ocorrer uma fuga de gás, mantenha o produto afastado de qualquer chama e ventile o espaço durante algum tempo.

AVISO - Não utilize dispositivos mecânicos ou outros para acelerar o processo de descongelação, diferentes dos recomendados pelo fabricante.

AVISO - Não danifique o circuito de refrigeração.

AVISO - Não utilize aparelhos eléctricos dentro dos compartimentos de armazenamento de alimentos do frigorífico, excepto os que forem recomendados pelo fabricante.

AVISO - Se o cabo fornecido estiver danificado, deve ser substituído pelo fabricante, pelo seu agente de assistência ou pessoas igualmente qualificadas para evitar perigo.

Instruções para transporte

1. O frigorífico deve ser transportado apenas na posição vertical. A embalagem fornecida deve ser mantida intacta durante o transporte.
2. Se, durante o transporte, o frigorífico tiver sido colocado horizontalmente, não o ligue durante, pelo menos, 4 horas, para permitir que o sistema estabilize.
3. A falha no cumprimento das instruções acima referidas pode resultar em danos no frigorífico, para os quais o fabricante não será responsável.
4. O frigorífico deve estar protegido da chuva, humidade e de outras acções atmosféricas.

Importante!

- Deve ter cuidado quando limpar/deslocar o equipamento, para não tocar na parte inferior dos fios metálicos do condensador, que se encontram na parte posterior do equipamento, para evitar ferimentos nos dedos e nas mãos.
- Não se ponha de pé nem se sente sobre o congelador, pois ele não está concebido para essa utilização. Se o fizer, corre o risco de ferimentos ou de provocar danos no aparelho.
- Quando deslocar o equipamento, certifique-se de que o cabo principal não fica debaixo do equipamento, de modo a não danificar o cabo.
- Não permita que as crianças brinquem com o frigorífico nem com os controlos.

Instruções de instalação

1. Não coloque o frigorífico numa sala onde a temperatura possa atingir valores inferiores a 10 graus C durante a noite e/ou especialmente no Inverno, porque o aparelho foi concebido para funcionar com temperatura ambiente entre +10 e +38 graus C.

A temperaturas inferiores, o frigorífico pode não funcionar, o que resulta numa redução do período de armazenamento dos alimentos.

2. Não coloque o frigorífico junto de fogões ou de radiadores ou sob luz solar directa, de modo a evitar uma sobrecarga nas funções do aparelho. Se o instalar junto a uma fonte de calor ou a uma arca congeladora, mantenha as seguintes distâncias laterais mínimas:

De fogões, 30 mm

De radiadores, 300 mm

De arcas congeladores, 25 mm

3. Certifique-se de que existe espaço suficiente em redor do frigorífico, de modo a assegurar a circulação de ar **(Item 2)**.

• Coloque a tampa de ventilação posterior na parte de trás do frigorífico, para definir a distância entre o aparelho e a parede **(Item 3)**.

4. O frigorífico deve ser colocado numa superfície plana. Os dois pés frontais devem ser ajustados se necessário. Para garantir que o equipamento fique na vertical, ajuste os dois pés frontais rodando-os para a direita ou para a esquerda, até que o contacto com o chão seja firme. O ajuste correcto dos pés evita o excesso de vibração e ruído **(Item 4)**.

5. Para preparar o frigorífico para utilização, consulte a secção "Limpeza e cuidados".

Detalhes do equipamento

(Item 1)

- 1 - Prateleira do frigorífico
- 2 - Caixa do termóstato e da lâmpada
- 3 - Prateleiras ajustáveis do frigorífico
- 4 - Canal de recolha da água da descongelação - tubo de drenagem
- 5 - Tampa da gaveta para frutos e legumes
- 6 - Gaveta
- 7 - Pés frontais ajustáveis
- 8 - Prateleira para jarros
- 9 - Prateleira para garrafas

Arrumação sugerida para os alimentos no frigorífico

Directrizes para a obtenção de armazenamento e higiene optimizados:

1. O compartimento do frigorífico destina-se a armazenar, durante um curto período de tempo, alimentos frescos e bebidas.
2. O compartimento do congelador está classificado como *** ** *** e está preparado para congelar e armazenar alimentos pré-congelados. Devem ser sempre observadas as recomendações para o armazenamento *** ** ***, incluídas nas embalagens dos alimentos.
3. Os alimentos cozinhados devem ser armazenados em recipientes herméticos. Para congelar alimentos frescos é recomendável empacotar os produtos em folha de alumínio ou de plástico, arrefecê-los no compartimento para alimentos frescos e armazená-los na prateleira do compartimento do congelador. É preferível que a prateleira seja fixada na parte superior do compartimento do congelador.
4. Os produtos frescos envolvidos em película devem ser guardados na prateleira. Os frutos frescos e os vegetais devem ser limpos e guardados nas gavetas correspondentes.
5. As garrafas podem ser guardadas no compartimento da porta.
6. Para armazenar carne crua, coloque-a em sacos de polietileno e guarde-a na prateleira inferior. Não deixe que a carne crua entre em contacto com alimentos cozinhados, para evitar contaminações. Por razões de segurança, armazene a carne durante apenas dois ou três dias.
7. Para obter a máxima eficiência, as prateleiras amovíveis não devem ser cobertas com papel ou outros materiais para permitir a livre circulação de ar frio.

8. Não guarde óleo vegetal nas prateleiras da porta. Mantenha os alimentos embalados, envolvidos ou cobertos. Deixe arrefecer os alimentos e as bebidas quentes antes de os refrigerar. Os restos de alimentos enlatados não devem ser guardados dentro da lata.

9. As bebidas gaseificadas não devem ser congeladas. Os produtos como os gelados de água com aromas não devem ser consumidos demasiado frios.

10. Alguns frutos e vegetais deterioram-se se foram mantidos a temperaturas próximas dos 0°C. Por isso, os ananases, melões, pepinos, tomates e produtos semelhantes devem ser guardados em sacos de polietileno.

11. As bebidas alcoólicas de alta graduação devem ser guardadas na vertical e em recipientes bem fechados. Nunca armazene produtos que contenham gás inflamável (por exemplo, latas de natas à pressão, aerossóis, etc.) ou substâncias explosivas. Pode haver perigo de explosão.

Controlo e ajuste da temperatura

As temperaturas de funcionamento são controladas pelo botão do termóstato e podem ser definidas em qualquer posição entre 1 e 5 (a posição mais fria). Se o botão do termóstato estiver na posição "0" o equipamento está desligado. Neste caso nem a lâmpada de interior acenderá. A temperatura média dentro do frigorífico deve ser cerca de +5°C (+41°F). Assim, ajuste o termóstato para obter a temperatura pretendida. Algumas secções do frigorífico podem estar mais frias ou mais quentes (tal como a gaveta das saladas e a parte superior do exterior frigorífico), o que é perfeitamente normal. Recomendamos que verifique periodicamente a temperatura com um termómetro, para garantir que o frigorífico se mantém à temperatura pretendida. Como as aberturas frequentes da porta causam o aumento da temperatura interior, recomendamos que a feche logo após a utilização.

Antes do funcionamento

Verificação final

Antes de começar a utilizar o frigorífico, verifique se:

1. Os pés foram ajustados de modo a garantir um perfeito nivelamento.
2. O interior está seco e se o ar pode circular livremente na parte posterior.
3. O interior está limpo, de acordo com as recomendações apresentadas na secção "Limpeza e cuidados".

4. A ficha foi introduzida na tomada de parede e se a electricidade está ligada. A luz interior se acende quando a porta é aberta.

E observe que:

5. Ouvirá um ruído quando o compressor começa a trabalhar. O líquido e os gases no interior do sistema de refrigeração também podem fazer algum ruído, independentemente do compressor estar ou não a funcionar. Esta situação é perfeitamente normal.

6. Também é normal uma pequena ondulação na parte superior do frigorífico, devido ao processo de fabrico utilizado. Não é um defeito.

7. Recomendamos a colocação do botão do termóstato na posição intermédia e que controle a temperatura para garantir que o frigorífico mantém as temperaturas de armazenamento pretendidas (Consulte a secção Ajuste e controlo da temperatura).

8. Não carregue o frigorífico imediatamente após a ligação. Aguarde até que a temperatura correcta de armazenamento seja atingida. Recomendamos a verificação da temperatura com um termómetro de precisão (Consulte a secção Ajuste e controlo da temperatura).

Armazenar alimentos congelados

O congelador está preparado para armazenar, durante longos períodos de tempo, alimentos pré-congelados e também pode ser utilizado para congelar e armazenar alimentos frescos. No caso de ocorrer uma falha de energia, não abra a porta. Os alimentos congelados não deverão ser afectados se a falha de energia for inferior a 16 horas. Se a falha for superior, os alimentos devem ser verificados e imediatamente consumidos ou cozinhados e, em seguida, recongelados.

Congelar alimentos frescos

Para obter os melhores resultados, as instruções a seguir apresentadas devem ser tomadas em linha de conta. Não congele grandes quantidade de uma só vez. A qualidade dos alimentos é melhor preservada quando a congelação atinge o interior no menor tempo possível. Não ultrapasse a capacidade de congelação do frigorífico por um período superior a 24 h. A colocação de alimentos quentes no compartimento do congelador obriga o motor de refrigeração a um funcionamento contínuo até à completa congelação dos alimentos. Esta situação pode provocar, temporariamente, um arrefecimento excessivo do compartimento de refrigeração.

Quando congelar alimentos frescos, mantenha o botão do termóstato na posição intermédia. As quantidades pequenas de alimentos até 1/2 kg. podem ser congeladas sem necessidade de ajustar o botão de controlo da temperatura. Tenha um cuidado especial para não misturar alimentos já congelados com alimentos frescos.

Fazer cubos de gelo

Encha as formas para gelo até 3/4 da sua capacidade e coloque-as no congelador. Solte os tabuleiros congelados com uma colher ou objecto semelhante; Nunca utilize objectos pontiagudos, como facas ou garfos.

Descongelar

A) Compartimento do frigorífico

O compartimento do frigorífico descongela-se automaticamente. A água da descongelação circula até ao tubo de drenagem através de recipiente colocado na parte posterior do frigorífico (**Item 5**).

Durante a descongelação, podem-se formar gotas de água na parte posterior do frigorífico onde se encontra o evaporador. Algumas gotas podem permanecer no interior e recongelar depois da descongelação estar terminada. Não utilize objectos pontiagudos, como facas ou garfos, para remover as gotas que tenham recongelado. Se, em qualquer momento, a água da descongelação não circular pelo canal de recolha, verifique se o tubo de drenagem não está obstruído com partículas de alimentos. O tubo de drenagem pode ser limpo com um escovilhão adequado ou objecto semelhante. Certifique-se que o tubo esteja colocado de forma permanente com a sua extremidade no tabuleiro de recolha no compressor para evitar o derrame de água sobre a instalação eléctrica ou no chão (**Item 6**).

B) Compartimento do congelador

A descongelação é um processo muito fácil e sem dificuldades, devido a um recipiente especial para recolha da água de descongelação. Faça a descongelação duas vezes por ano ou quando se tiver formado uma camada de gelo com, aproximadamente, 7 mm. Para iniciar o procedimento de descongelação, desligue o frigorífico retirando a ficha da tomada de parede. Todos os alimentos devem envolvidos em várias camadas de jornal e guardados num local fresco (por exemplo, um frigorífico ou despensa). Para acelerar a descongelação, podem ser colocados cuidadosamente recipientes com água quente.

Não utilize objectos pontiagudos, como facas ou garfos, para remover o gelo.

Para efectuar a descongelação, nunca utilize secadores de cabelo, aquecedores ou outros aparelhos eléctricos.

Com a ajuda de uma esponja, limpe a água depositada na parte inferior do compartimento do congelador. Após a descongelação, seque completamente o interior. Insira a ficha na tomada de parede e ligue o interruptor.

Substituição da lâmpada interior

Para substituir a lâmpada utilizada para a iluminação do seu frigorífico, por favor chame o seu Serviço de Assistência Autorizado.

A(s) lâmpada(s) usada(s) neste aparelho não é ou não são adequada(s) para a iluminação do espaço. A finalidade desta lâmpada é auxiliar o utilizador a colocar produtos alimentares no frigorífico/congelador, de uma forma confortável e segura. As lâmpadas usadas neste aparelho têm de suportar condições físicas extremas, tais como temperaturas abaixo de -20°C.

Limpeza e cuidados

1. Antes de efectuar a limpeza, recomendamos que desligue o frigorífico retirando a ficha da tomada de corrente.
2. Na limpeza, nunca utilize objectos pontiagudos ou substâncias abrasivas, sabões, produtos de limpeza doméstica, detergentes ou ceras abrillantadoras.
3. Utilize água morna para limpar o exterior do frigorífico e seque-o com um pano.
4. Para limpar o interior do frigorífico, utilize um pano humedecido com uma solução composta por uma colher de chá de bicarbonato de soda dissolvido num recipiente grande de água. Em seguida, seque o interior do frigorífico com um pano.
5. Certifique-se de que não entra água na caixa de controlo da temperatura.
6. Se não pretender utilizar o frigorífico durante um longo período de tempo, desligue-o, retire todos os alimentos, limpe-o e deixe a porta entreaberta.
7. Para proteger o acabamento da pintura de alta qualidade, recomendamos que faça o polimento das partes metálicas do aparelho (por exemplo, porta exterior, laterais exteriores) com cera de silicone (cera de polimento de automóveis).
8. Todo o pó acumulado no condensador, localizado na parte posterior do frigorífico, deve ser retirado uma vez por ano com um aspirador.
9. Verifique regularmente as borrachas herméticas da porta, para assegurar que elas estão limpas e sem restos de alimentos.

10. Nunca:

- Limpe o equipamento com material inadequado como, por exemplo, produtos derivados do petróleo.
- O exponha a altas temperaturas,
- O limpe, esfregue, etc., com materiais abrasivos.

11. Remoção da tampa da prateleira da porta:

- Para retirar a prateleira da porta, remova todo o seu conteúdo e, em seguida, puxe-a cuidadosamente.

12. Certifique-se de que o recipiente especial de plástico, localizado na parte posterior do frigorífico e que recolhe a água da descongelação, está sempre limpo. Se pretender retirar o tabuleiro para limpá-lo, siga as instruções a seguir apresentadas:

- Desligue o equipamento retirando a ficha da tomada de parede.
- Com a ajuda de alicate, incline ligeiramente o aro existente no compressor, de modo a poder retirar o tabuleiro.
- Levante-o.
- Limpe-o e seque-o com um pano.
- Volte a instalá-lo, invertendo a sequência das operações.

13. Uma grande acumulação de gelo prejudicará o desempenho do equipamento.

Recolocação da porta

Siga as instruções por ordem numérica (Item 7).

Procedimentos correctos e incorrectos

Correcto- Limpar e descongelar periodicamente o frigorífico (Consulte a secção "Descongelação").

Correcto- Guardar a carne crua e de aves sob os alimentos cozinhados e os produtos lácteos.

Correcto- Retirar dos vegetais as folhas não utilizáveis e limpar toda a sujidade.

Correcto- Deixar as alfaces, couves, salsa e couve-flor com o talo.

Correcto- Envolver primeiro o queijo em papel vegetal e, em seguida, colocá-lo num saco de polietileno, retirando a maior quantidade de ar possível. Para obter os melhores resultados, retirar os alimentos do compartimento do frigorífico uma hora antes de consumi-los.

Correcto- Envolver a carne crua e de aves em polietileno ou papel de alumínio. Este procedimento evita que os alimentos sequem.

Correcto- Colocar o peixe e os restos em sacos de polietileno.

Correcto- Colocar os alimentos com cheiro intenso ou que possam secar em sacos de polietileno, envolvê-los em papel de alumínio ou colocá-los em recipientes herméticos.

Correcto- Envolver bem o pão para mantê-lo fresco.

Correcto- Esfriar os vinhos brancos, cervejas, e águas minerais antes de os servir.

Correcto- Verificar periodicamente o conteúdo do congelador.

Correcto- Manter os alimentos no frigorífico o menor tempo possível e respeitar as datas de validade.

Correcto- Armazenar os alimentos pré-congelados de acordo com as instruções fornecidas nas embalagens.

Correcto- Escolher sempre alimentos frescos de alta qualidade e certificar-se de que estão totalmente limpos antes de os congelar.

Correcto- Preparar os alimentos frescos para congelação em pequenas quantidades, para garantir uma congelação rápida.

Correcto- Envolver todos os alimentos em papel de alumínio ou colocá-los em sacos de polietileno para congelação, retirando todo o ar.

Correcto- Envolver os alimentos congelados imediatamente após a aquisição e colocá-los no congelador o mais rápido possível.

Correcto- Descongelar os alimentos no compartimento do frigorífico.

Incorrecto- Armazenar bananas no compartimento do frigorífico.

Incorrecto- Armazenar melões no frigorífico. Estes podem ser esfriados durante curtos períodos de tempo, desde que sejam envolvidos para evitar que fiquem com sabor de outros alimentos.

Incorrecto- Cobrir as prateleiras com materiais de protecção que possam obstruir a circulação de ar.

Incorrecto- Guardar substâncias venenosas ou perigosas no frigorífico. Ele foi concebido para armazenar apenas alimentos comestíveis.

Incorrecto- Consumir alimentos que estiveram no frigorífico durante períodos excessivos de tempo.

Incorrecto- Armazenar, no mesmo recipiente, alimentos cozinhados e frescos. Eles deverão ser embalados e guardados separadamente.

Incorrecto- Deixar que os alimentos descongelados ou sumos pinguem para os alimentos.

Incorrecto- Deixar a porta aberta durante grandes períodos de tempo, o que encarece o custo de funcionamento e causa a formação excessiva de gelo.

Incorrecto- Utilizar objectos pontiagudos, como facas ou garfos, para remover o gelo.

Incorrecto- Colocar alimentos quentes no frigorífico. Primeiro, deixe arrefecer os alimentos.

Incorrecto- Colocar garrafas ou latas herméticas completamente cheias com líquidos gaseificados, já que podem rebentar.

Incorrecto- Ultrapassar a carga máxima quando congelar alimentos frescos.

Incorrecto- Dar às crianças gelados e cubos de gelo directamente do congelador. A temperatura baixa pode provocar queimaduras nos lábios.

Incorrecto- Congelar bebidas gaseificadas.

Incorrecto- Tentar recongelar alimentos que tenham sido descongelados; Estes alimentos devem ser consumidos no prazo de 24 horas ou cozinhados e recongelados.

Incorrecto- Retirar alimentos do congelador com as mãos molhadas.


Resolução de problemas

Se o congelador não funcionar depois de ter sido ligado, verifique se:

- Se a ficha está correctamente introduzida na tomada e se a alimentação eléctrica está activa. (Para verificar a alimentação eléctrica da tomada, ligue outro aparelho).
- Se o fusível está fundido, se o disjuntor ou se o interruptor principal se desligou.
- Se o controlo de temperatura está correctamente definido.
- A nova ficha está correctamente ligada, caso a tenha substituído.

Se, após todas estas verificações, o frigorífico continuar sem funcionar, contacte o representante onde adquiriu o electrodoméstico. Certifique-se de que efectuou todas as verificações acima apresentadas, pois se não for encontrada qualquer deficiência será debitado um valor.



O símbolo  no produto ou na embalagem indica que este produto não pode ser tratado como lixo doméstico normal. Ao contrário, deve ser encaminhado para o ponto de recolha aplicável para a reciclagem de equipamentos eléctricos e electrónicos. Ao assegurar que este equipamento seja eliminado correctamente, ajudará a prevenir potenciais efeitos negativos ao meio ambiente e à saúde humana, causados pela eliminação inadequada deste produto. Para informações mais detalhadas sobre a reciclagem deste produto, contacte a câmara municipal local, o serviço de recolha de lixo doméstico ou a loja onde adquiriu o produto.

